

1.SPECIFICATION

2.44B0 AND RTC

3.MEMORY INCLUDE FLASH AND SDRAM

4.AUDIO

5.NET

6.COMMEN INTERFACE INCLUDE ARMJTAG IDEJACK GPIO AND LCD

7.SDCARD

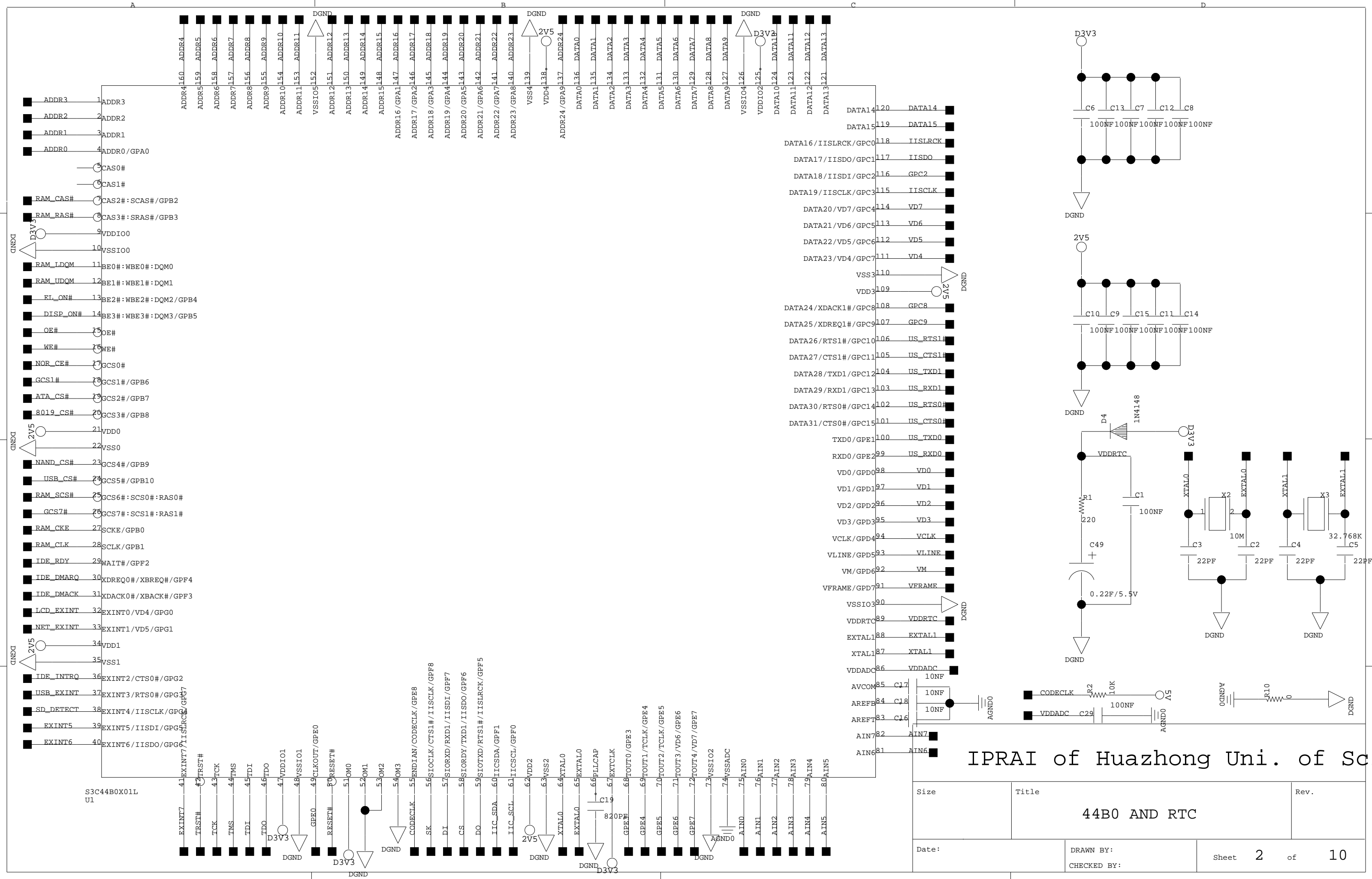
8.USART AND IIC

9.USB

10.POWER AND RESET

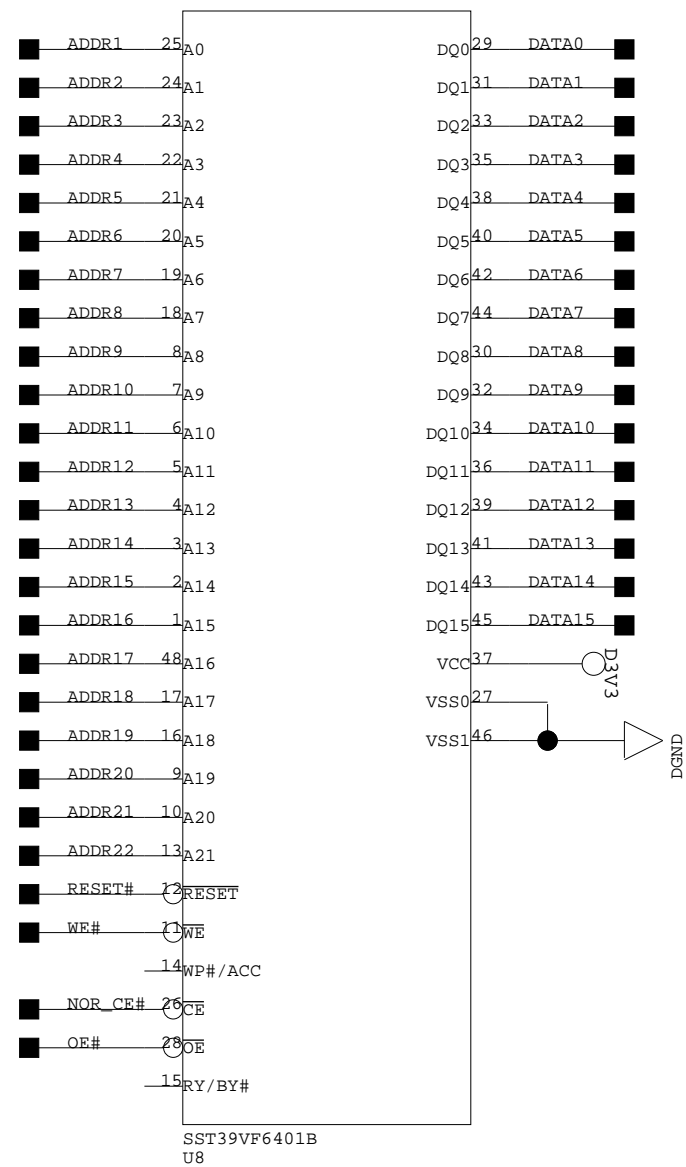
IPRAI of Huazhong Uni. of Sci

Size	Title SPECIFICATION	Rev.
Date:	DRAWN BY: CHECKED BY:	Sheet 1 of 10

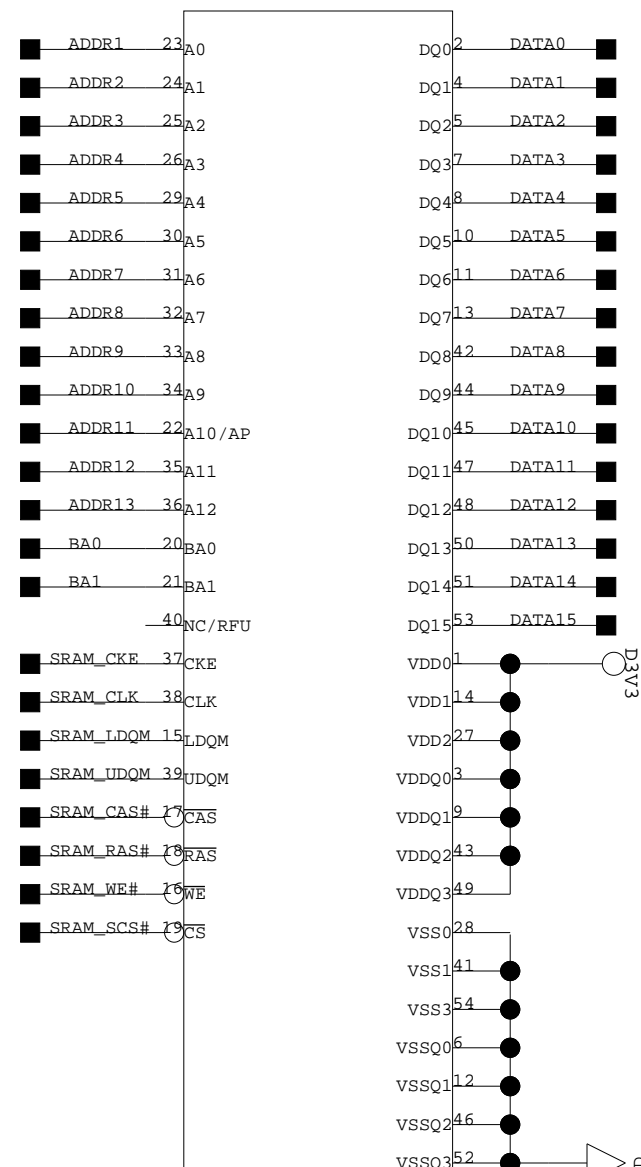


IPRAI of Huazhong Uni. of Sci

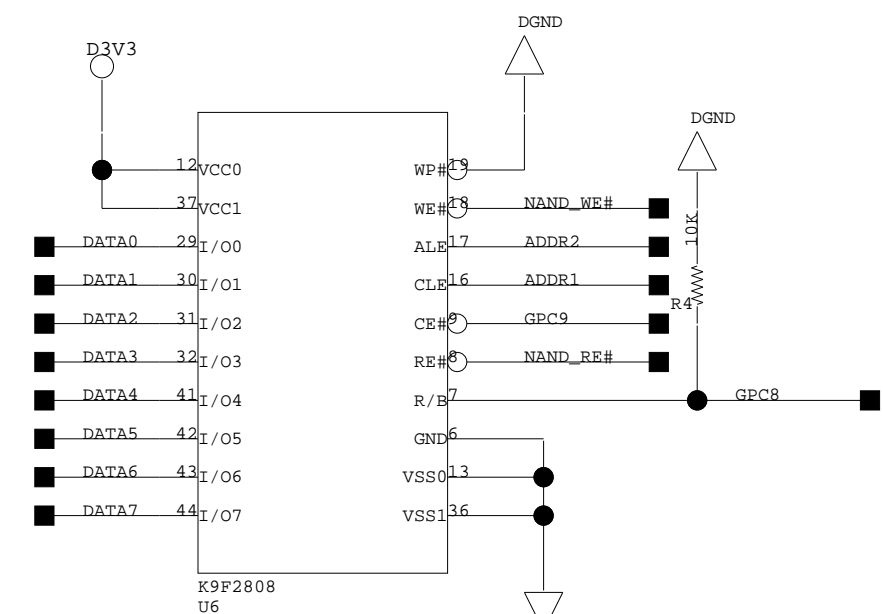
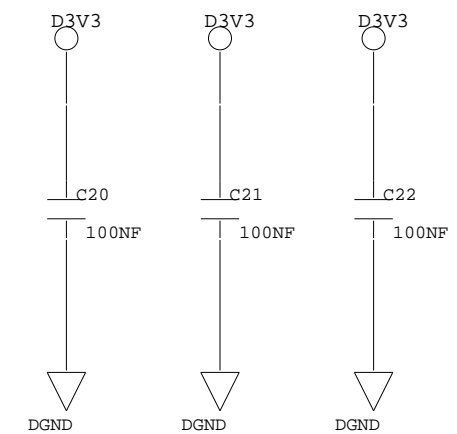
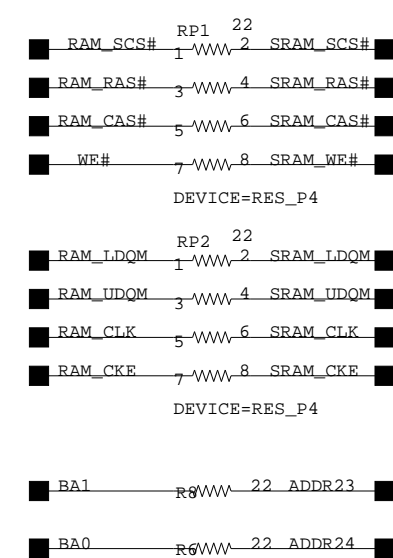
Size	Title	Rev.
	44B0 AND RTC	
Date:	DRAWN BY:	Sheet 2 of 10
	CHECKED BY:	



SST39VF6401B
U8

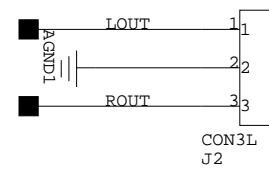
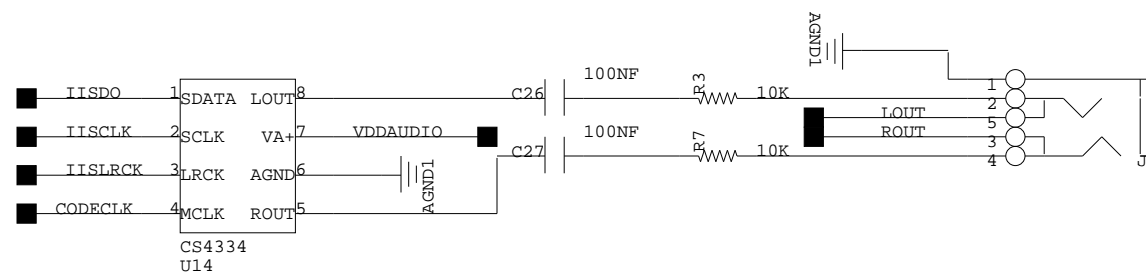
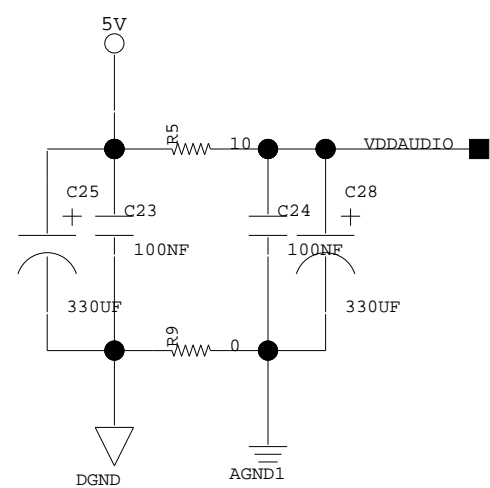


HY57V561620FTP
U5



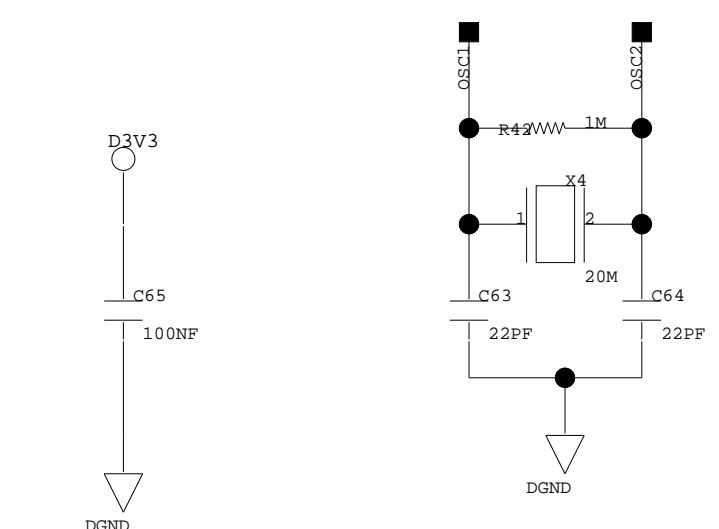
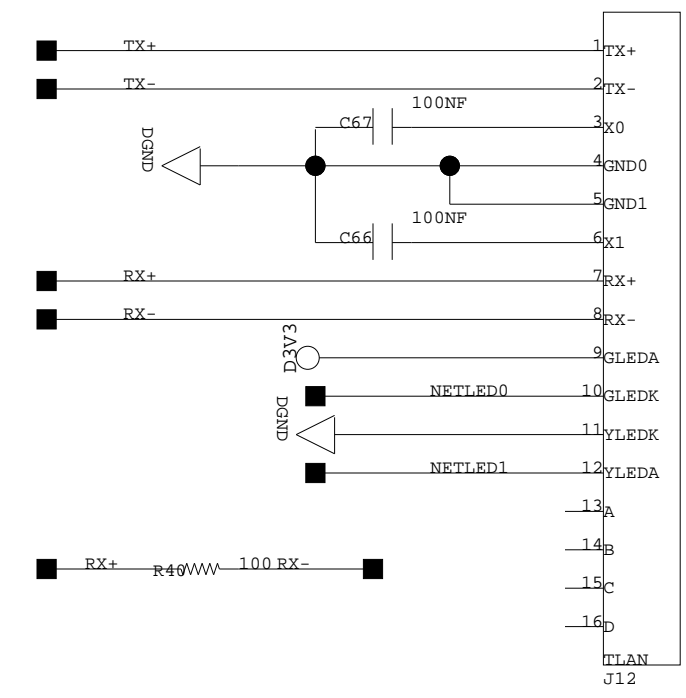
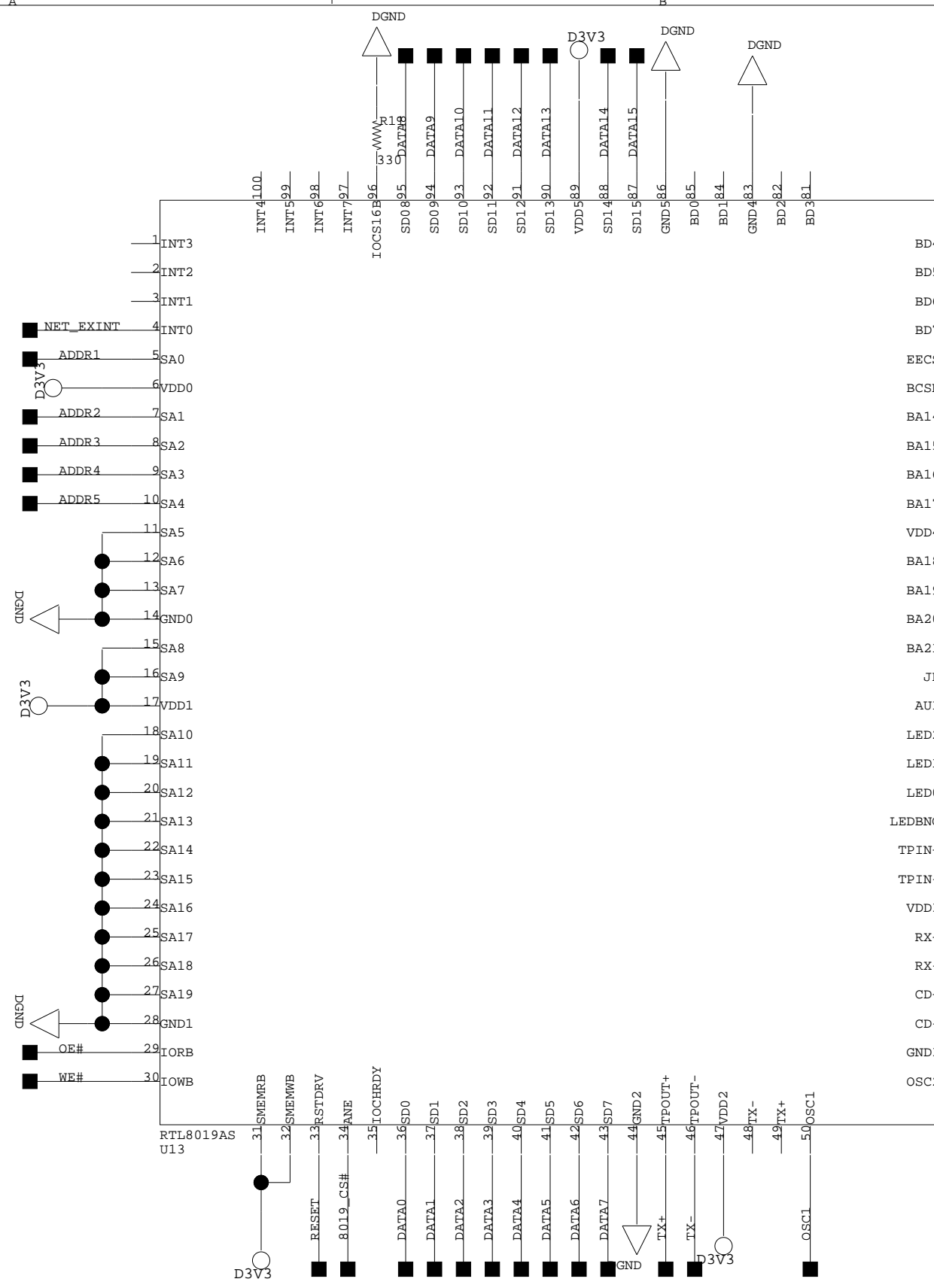
IPRAI of Huazhong Uni. of Sci

Size	Title	Rev.
	MEMORY	
INCLUDE SDRAM NOR FLASH AND NAND FLASH		
Date:	DRAWN BY:	Sheet 3 of 10
	CHECKED BY:	



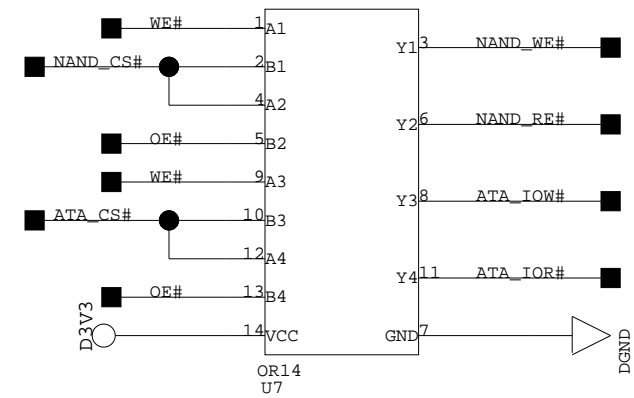
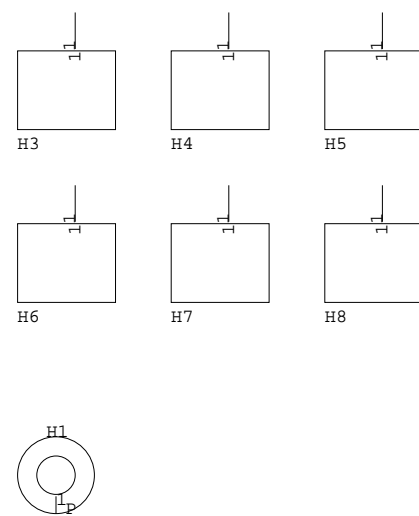
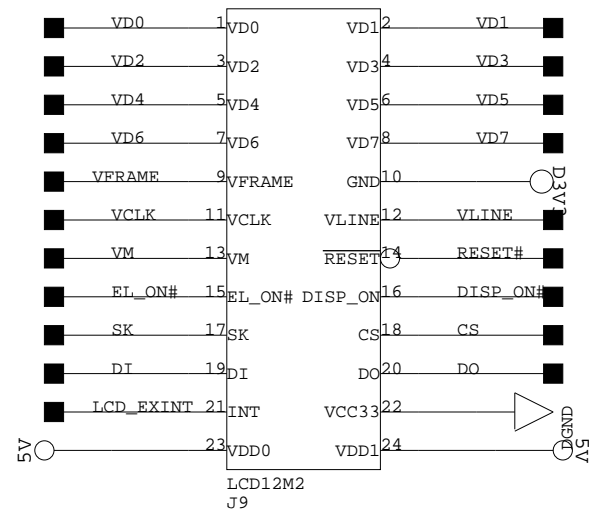
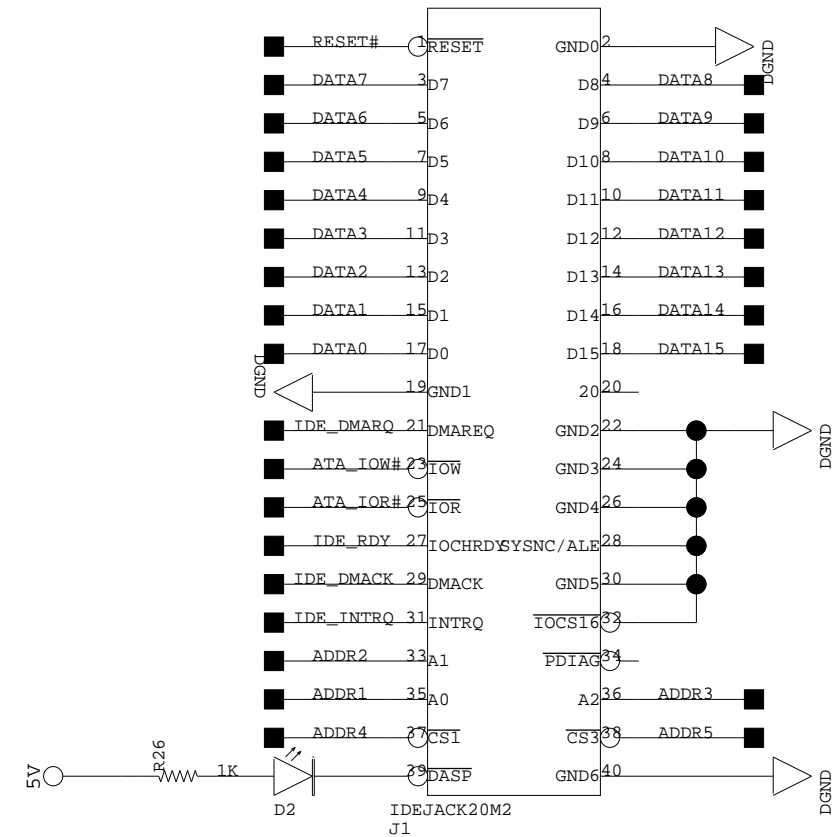
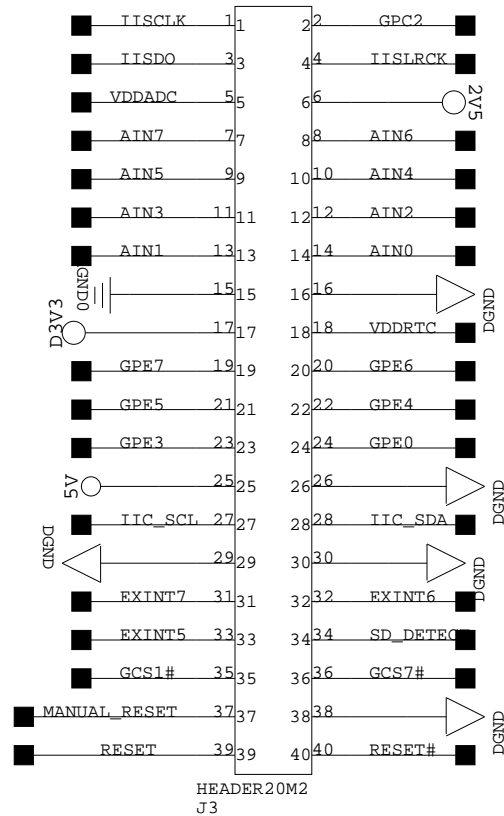
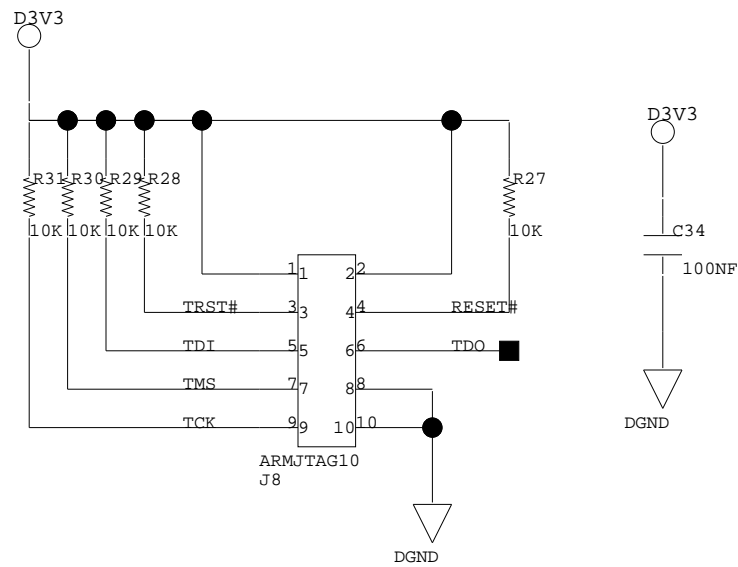
IPRAI of Huazhong Uni. of Sci

Size	Title	Rev.
	AUDIO	
Date:	DRAWN BY:	Sheet 4 of 10
	CHECKED BY:	



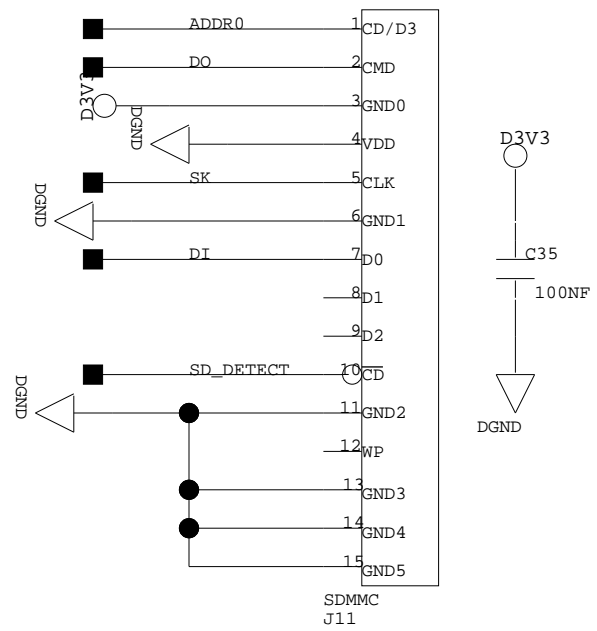
IPRAI of Huazhong Uni. of Sci

Size	Title	Rev.
	NET	
Date:	DRAWN BY:	Sheet 5 of 10
	CHECKED BY:	



IPRAI of Huazhong Uni. of Sci

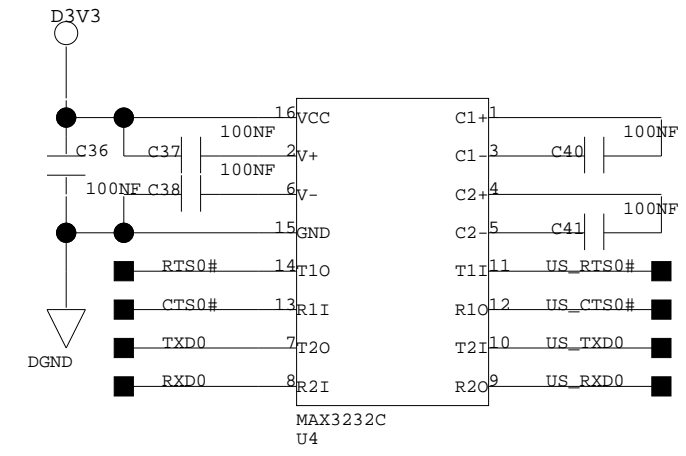
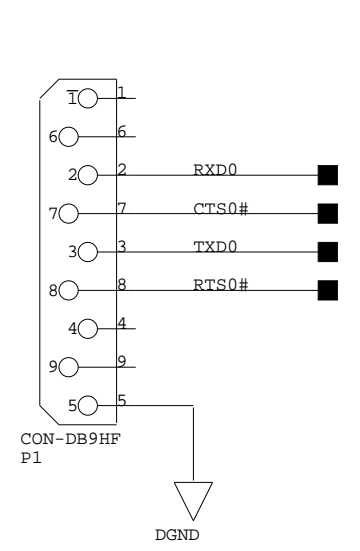
Size	Title COMMEN INTERFACE INCLUDE ARMJTAG IDEJACK GPIO LCD	Rev.
Date:	DRAWN BY: CHECKED BY:	Sheet 6 of 10



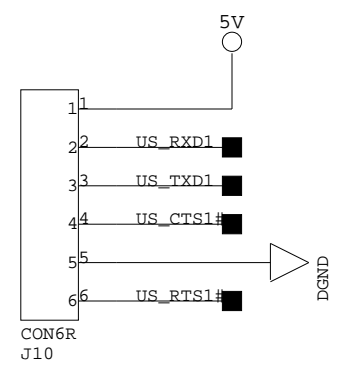
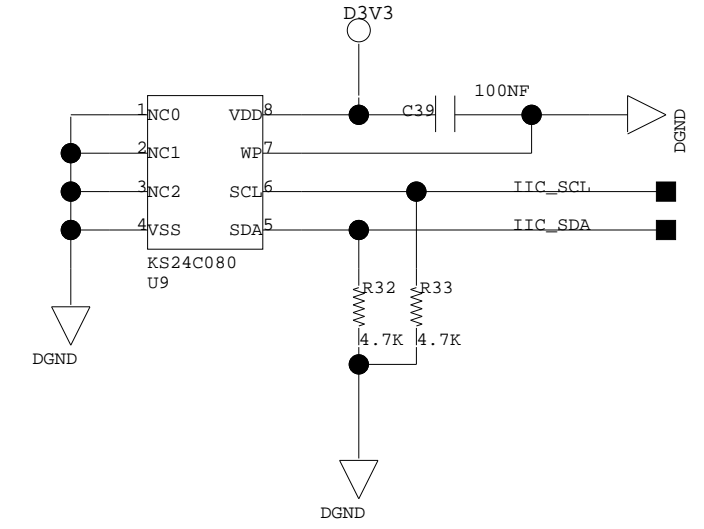
IPRAI of Huazhong Uni. of Sci

Size	Title SDCARD	Rev.
Date:	DRAWN BY: CHECKED BY:	Sheet 7 of 10

USART

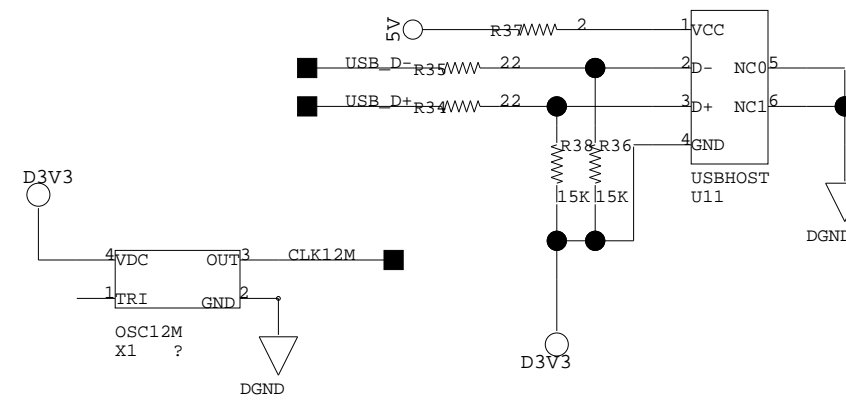
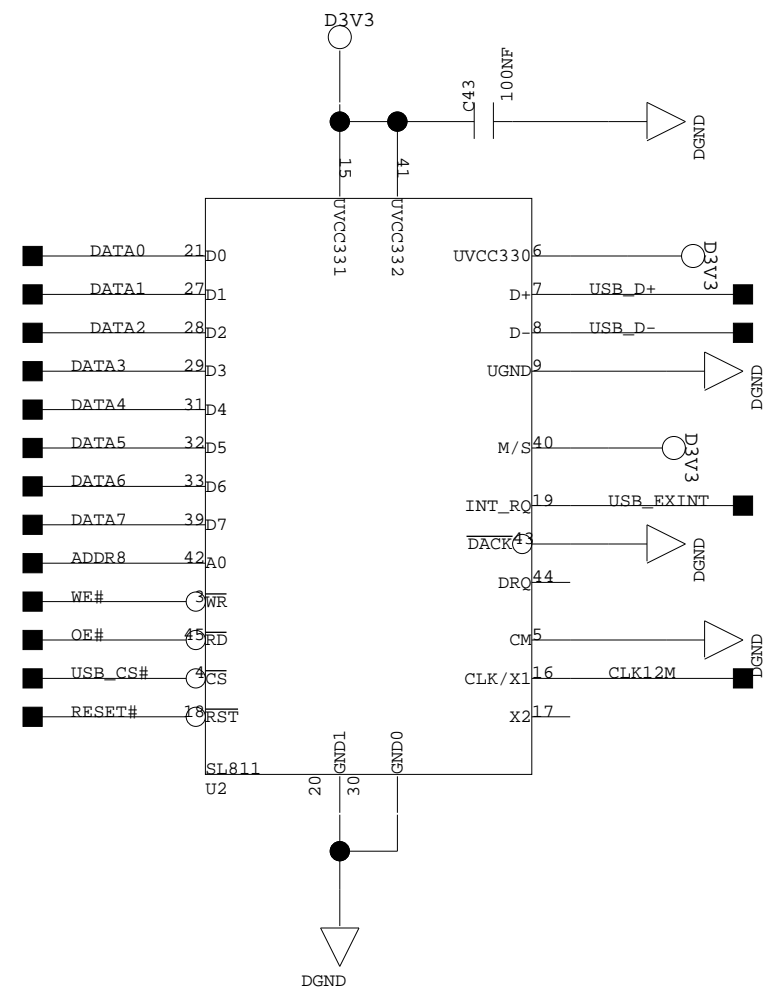


IIC



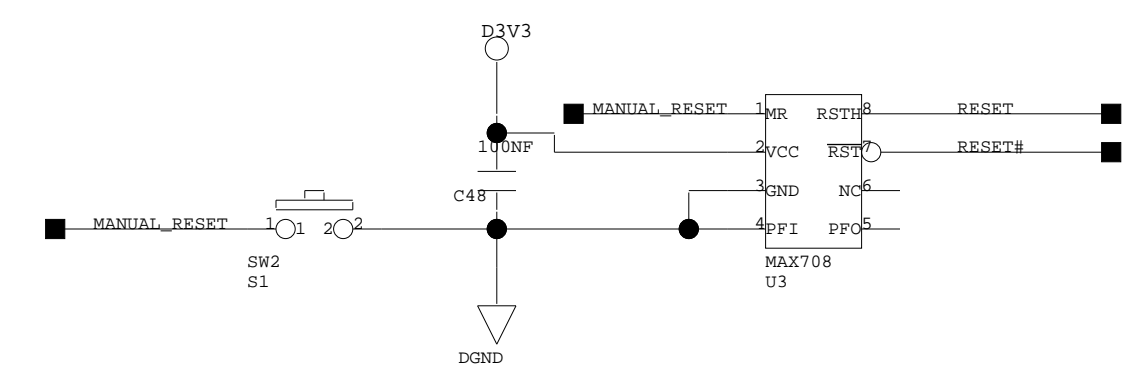
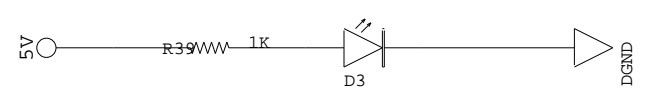
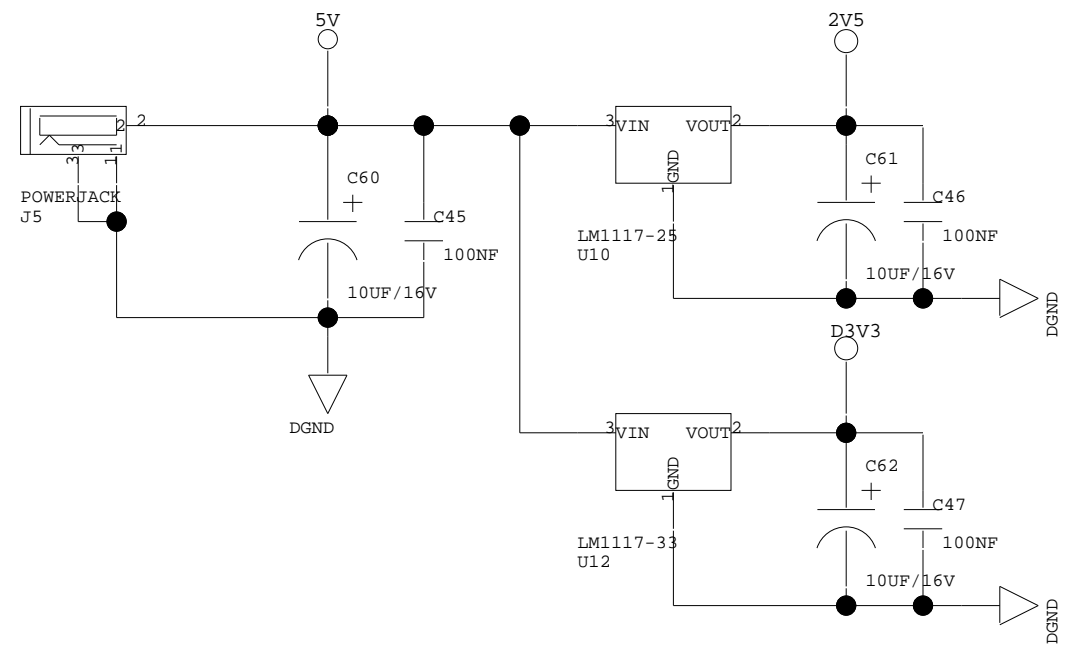
IPRAI of Huazhong Uni. of Sci

Size	Title	Rev.
	USART AND IIC	
Date:	DRAWN BY:	Sheet 8 of 10
	CHECKED BY:	



IPRAI of Huazhong Uni. of Sci

Size	Title	Rev.
	USB AND LCD	
Date:	DRAWN BY:	Sheet 9 of 10
	CHECKED BY:	



IPRAI of Huazhong Uni. of Sci

Size	Title	Rev.
	POWER AND RESET	
Date:	DRAWN BY:	Sheet 10 of 10
	CHECKED BY:	

