

1

1

2

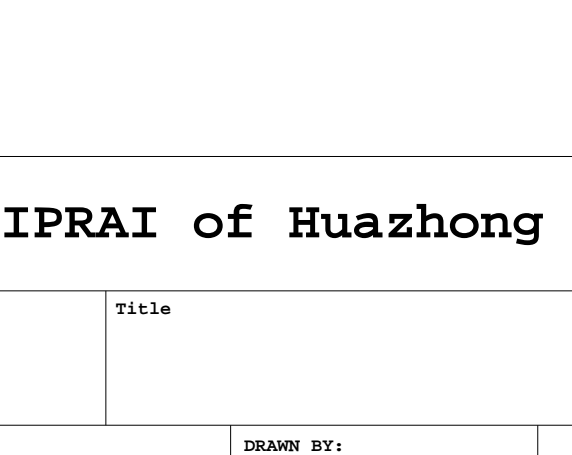
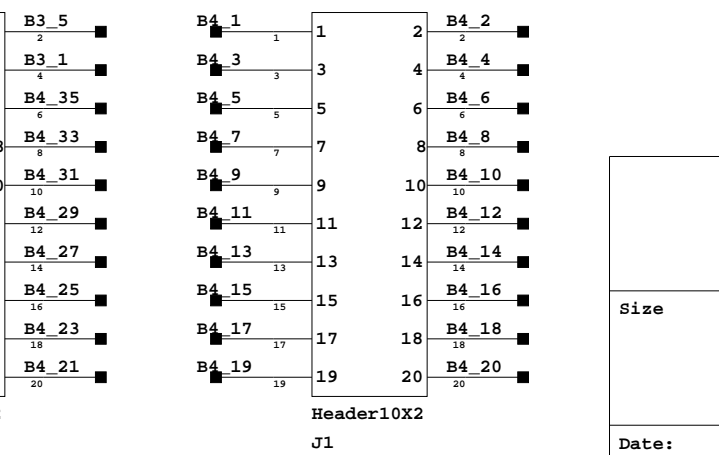
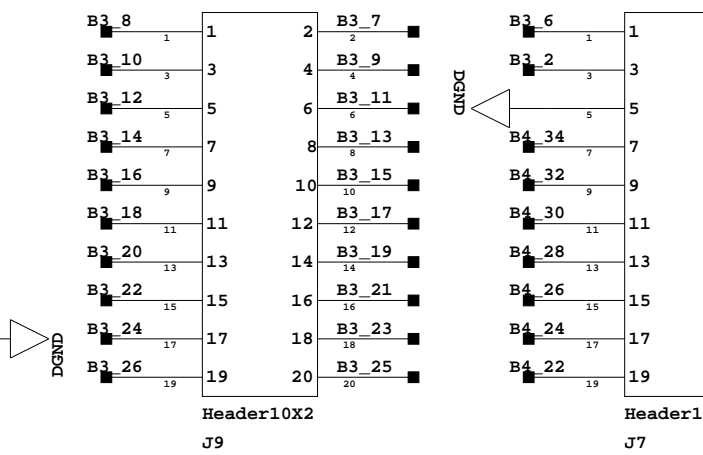
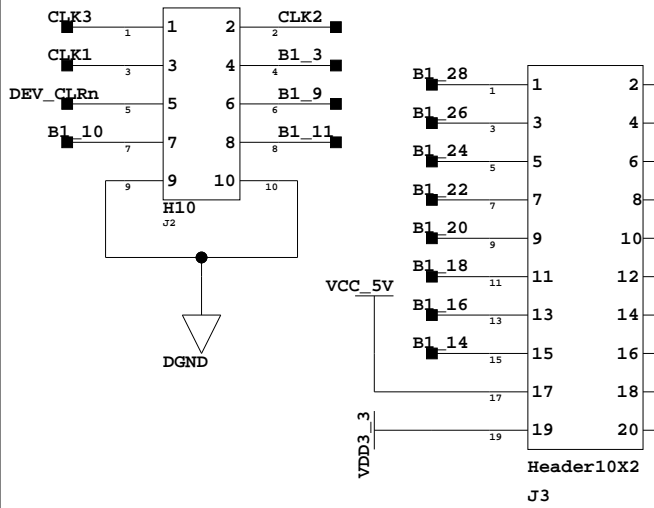
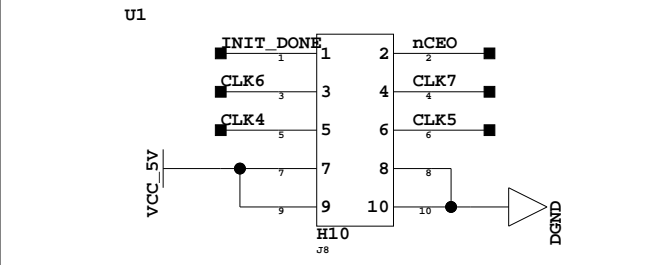
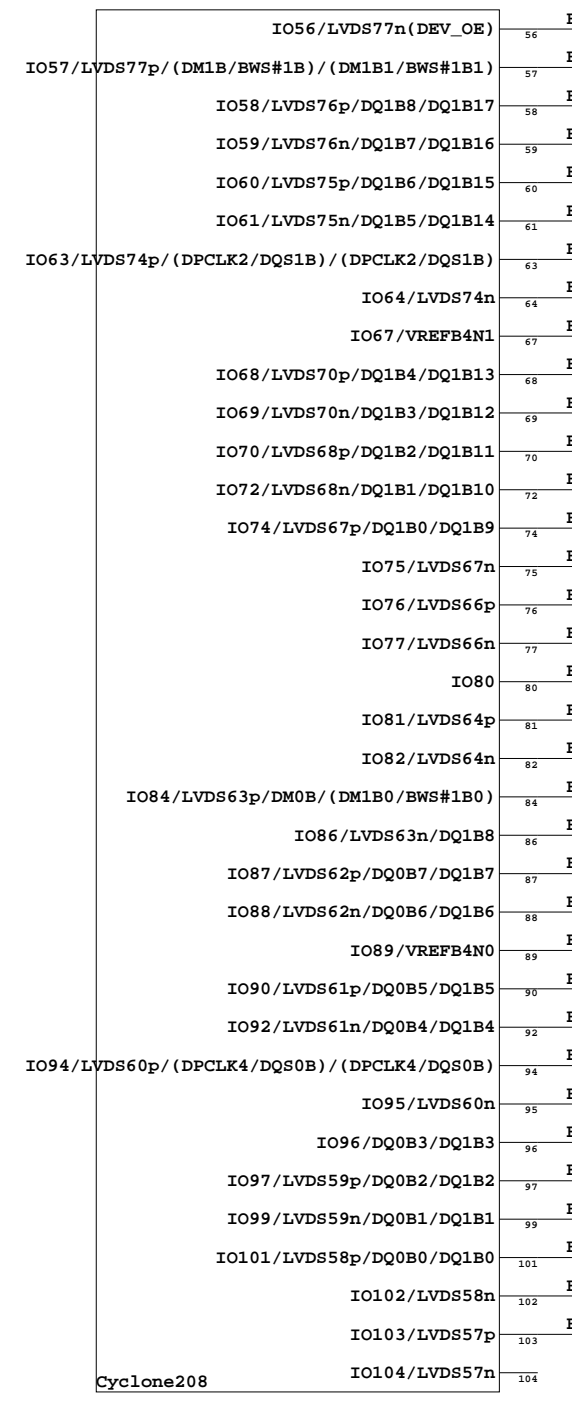
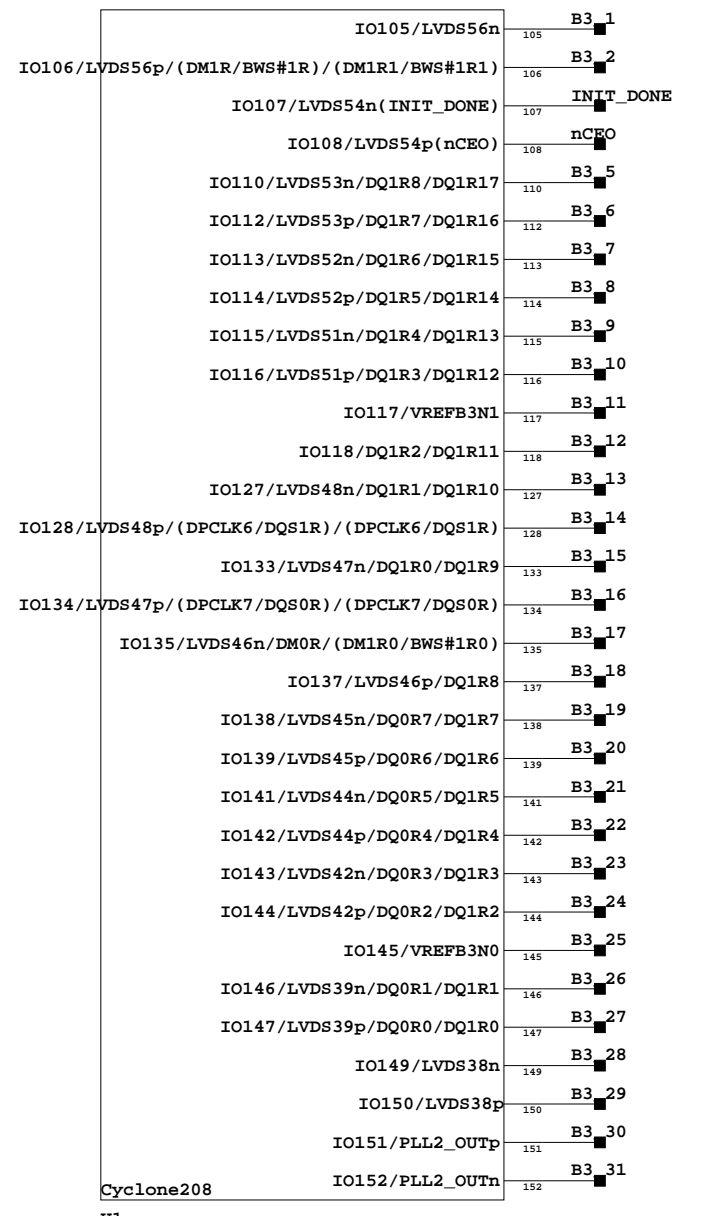
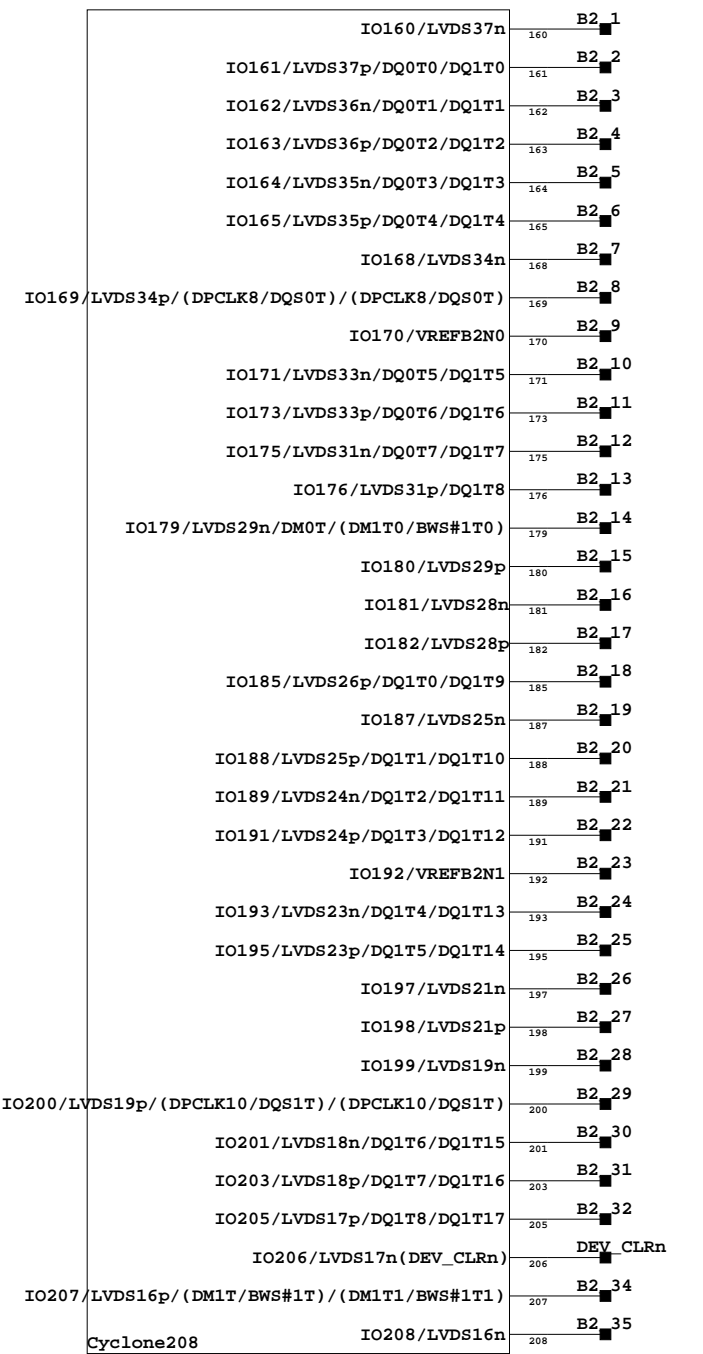
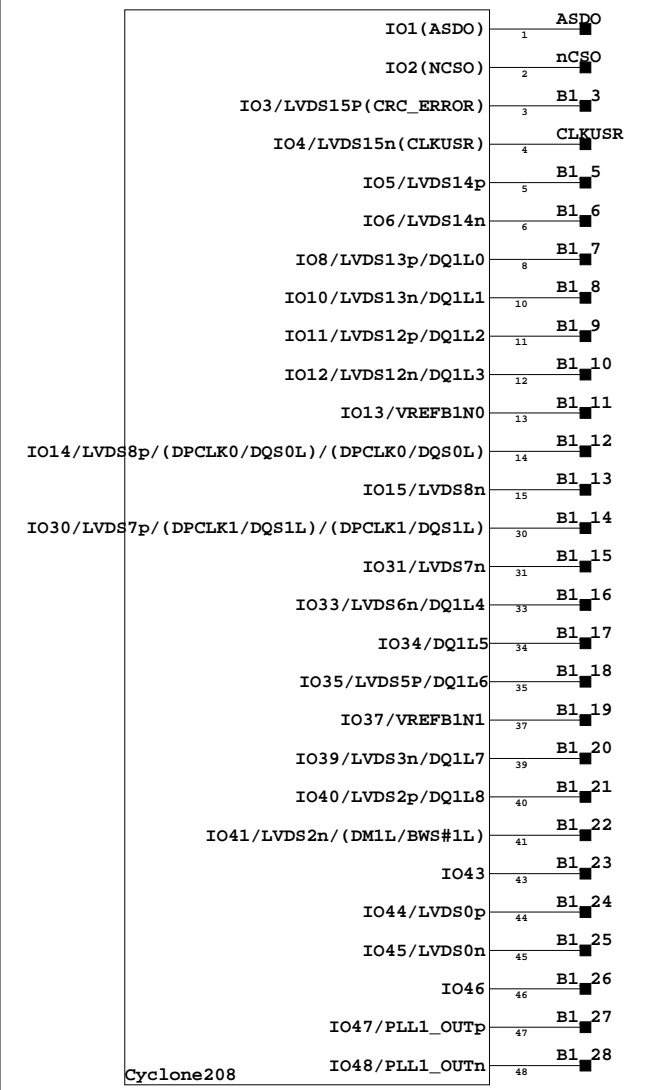
2

3

3

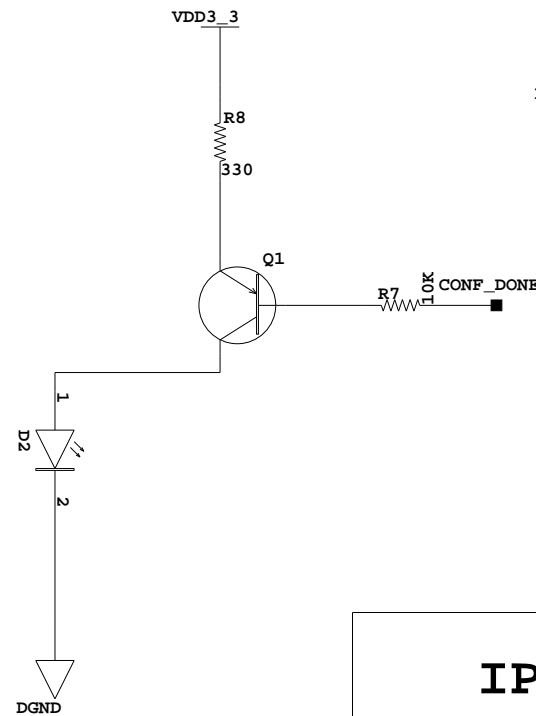
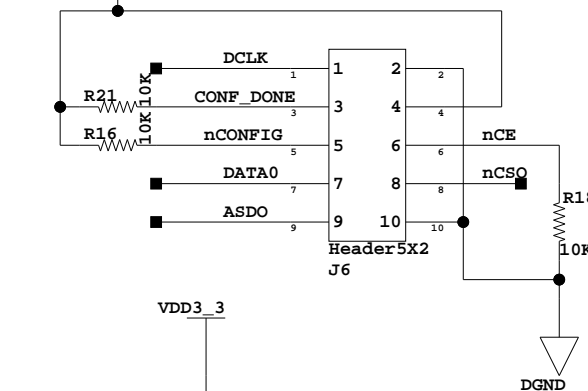
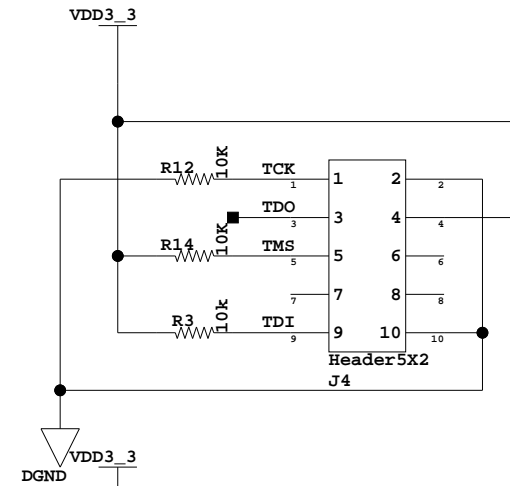
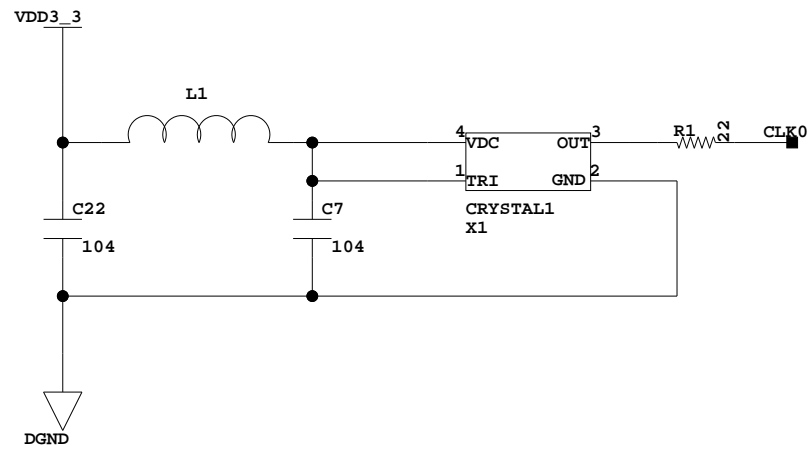
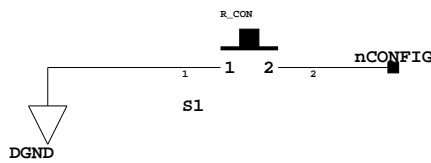
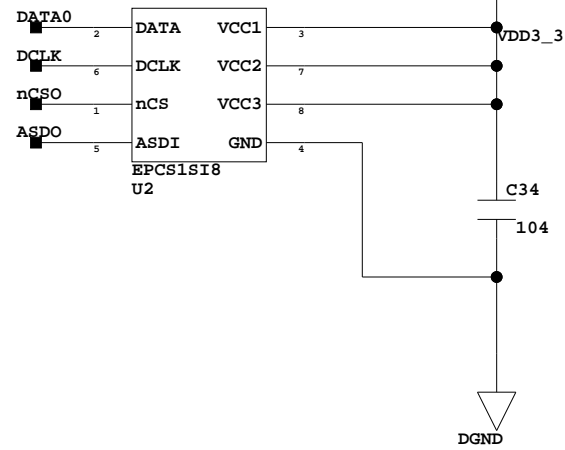
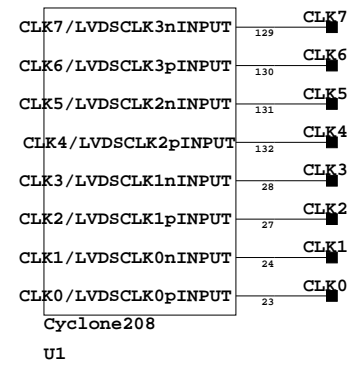
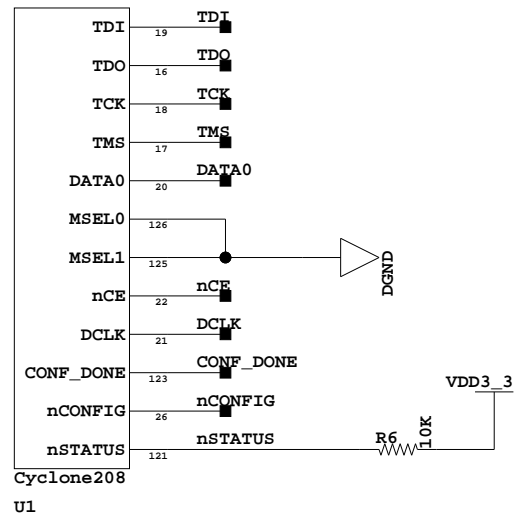
4

4



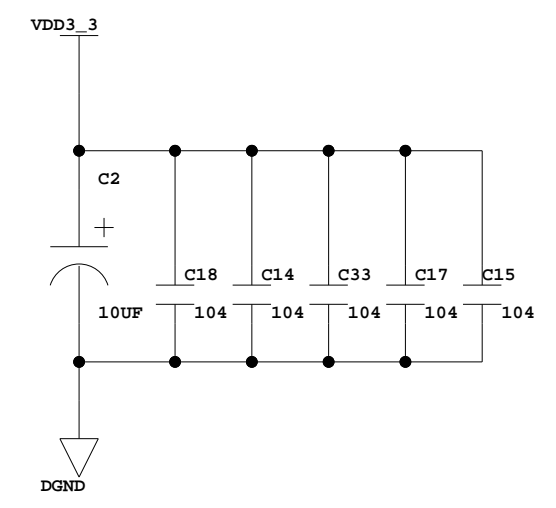
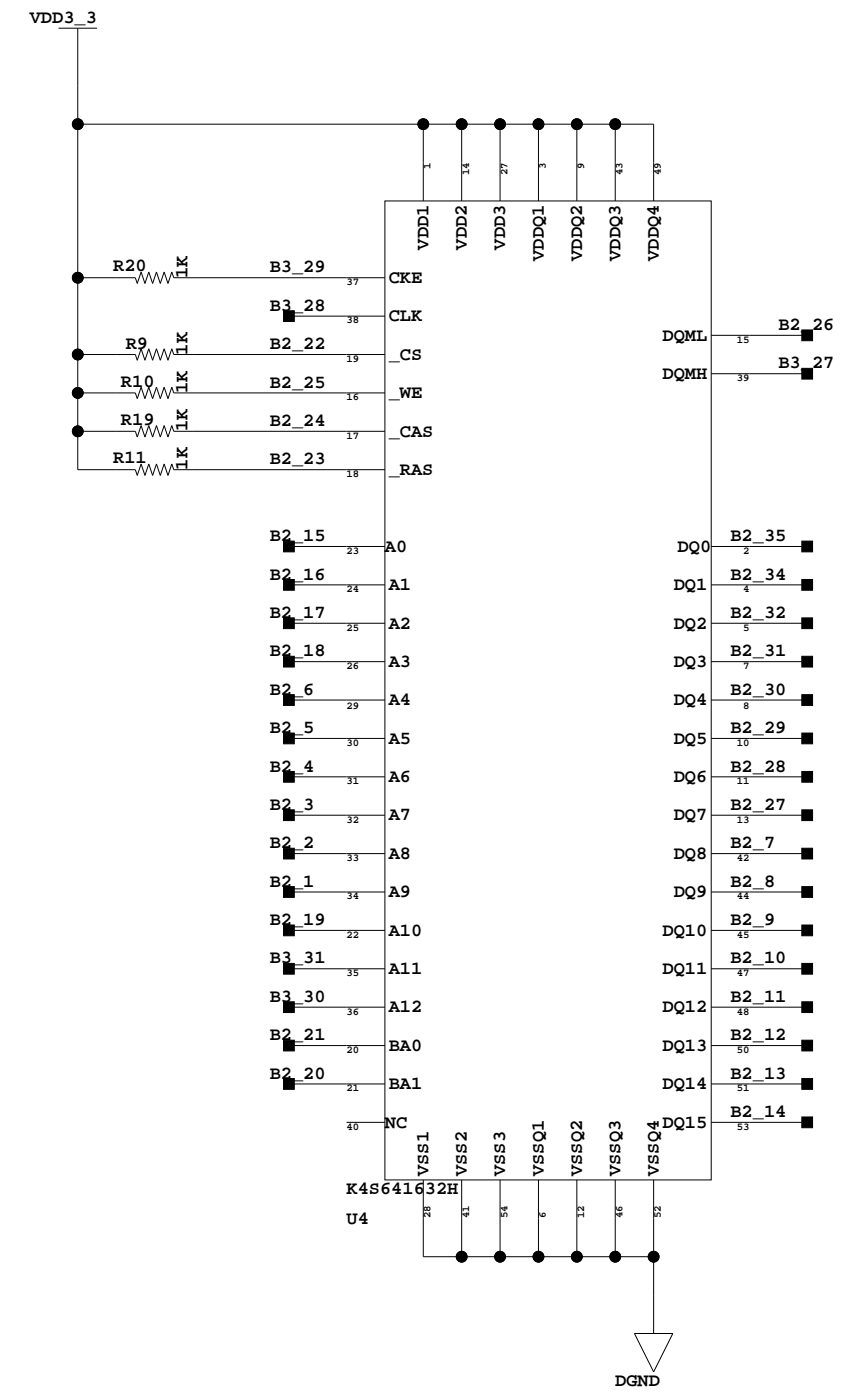
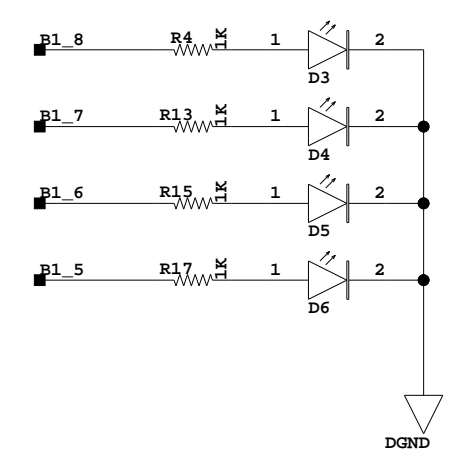
IPRAI of Huazhong Uni. of Sci. & Tech.

Size	Title	Rev.
Date:	DRAWN BY:	Sheet of
	CHECKED BY:	



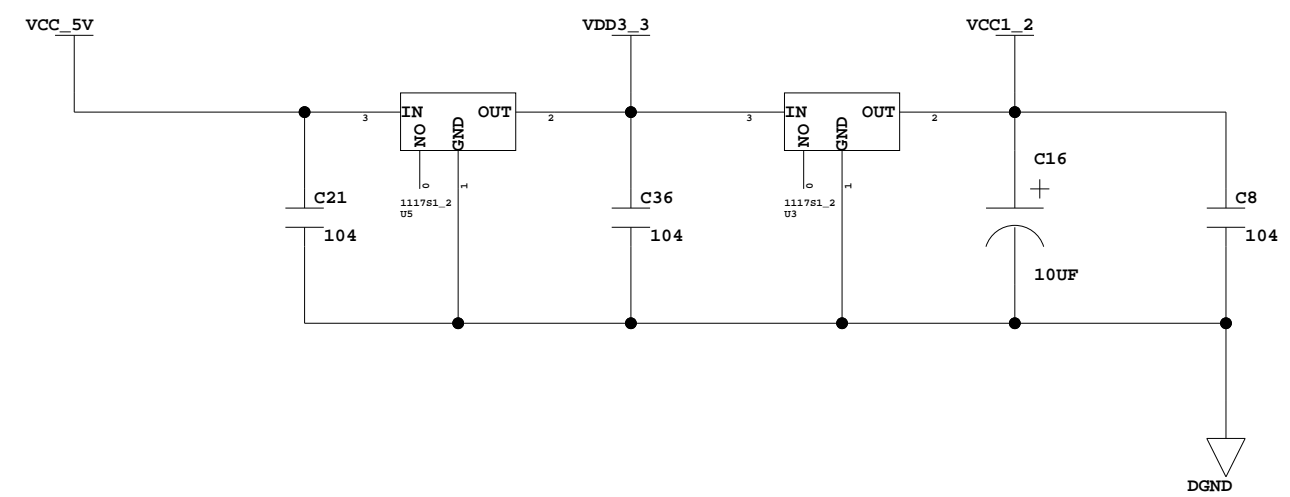
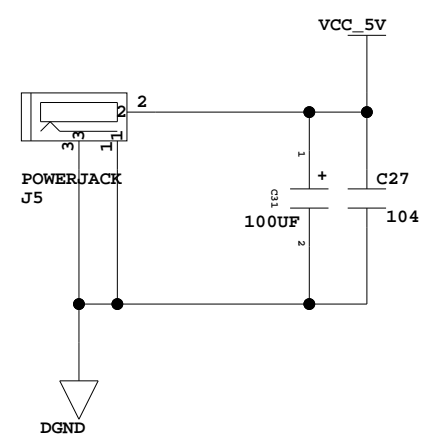
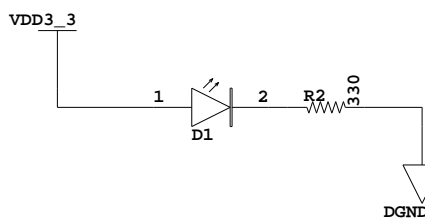
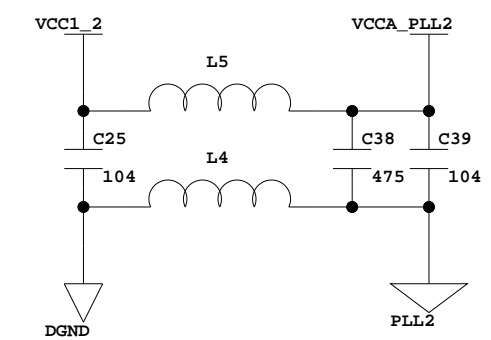
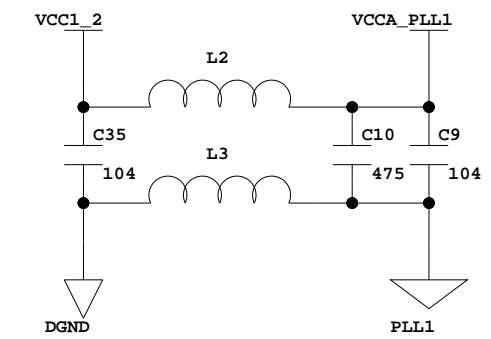
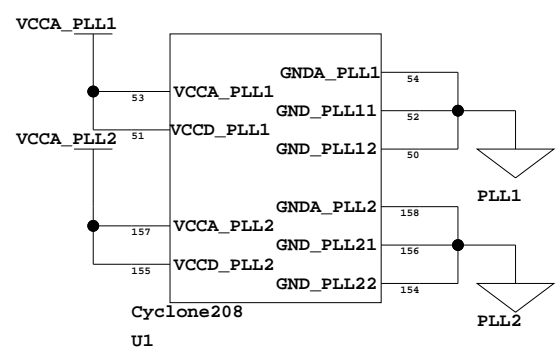
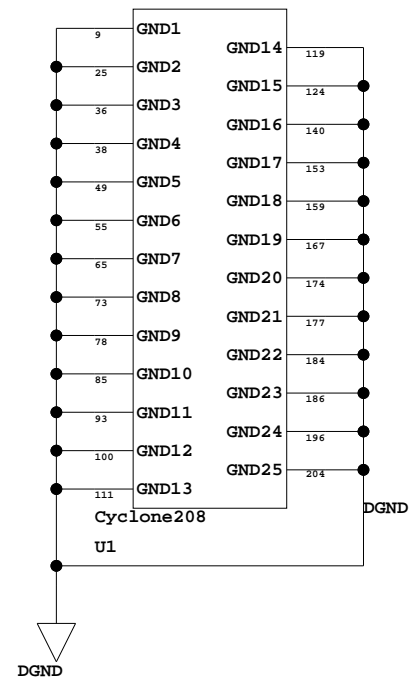
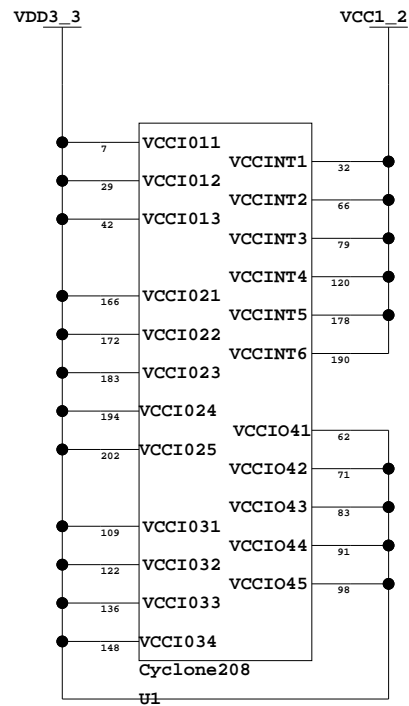
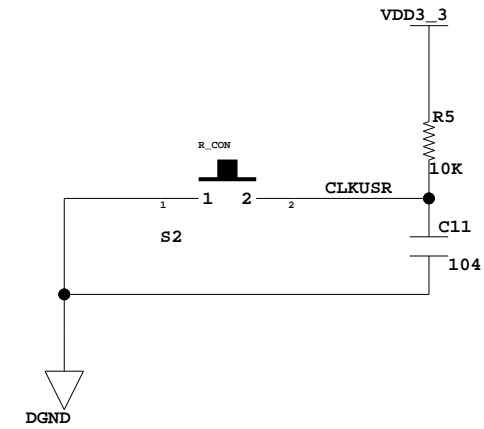
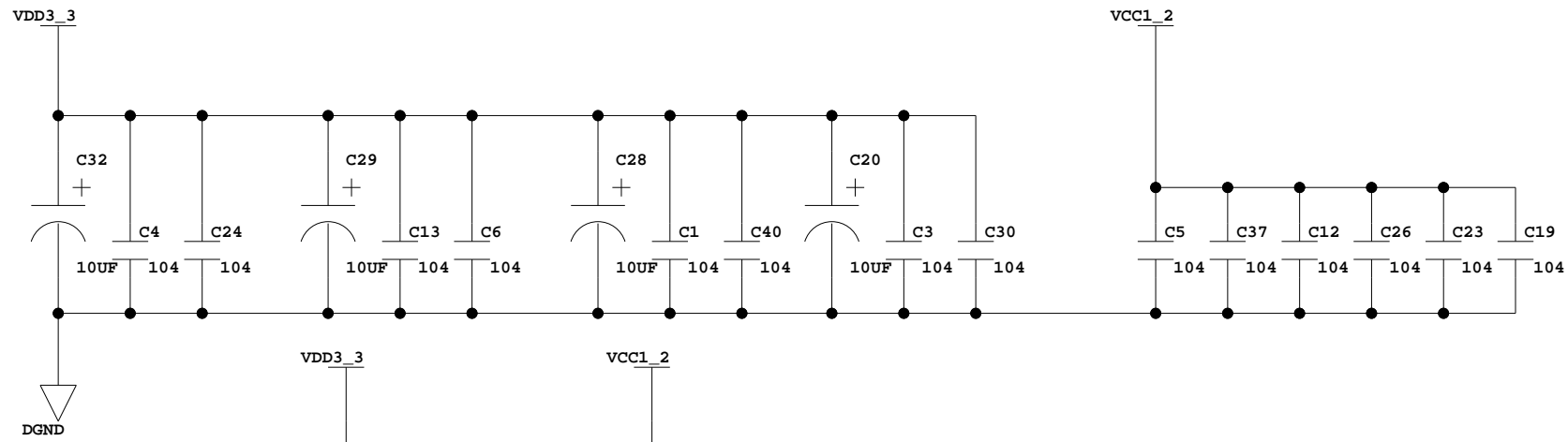
IPRAI of Huazhong Uni. of Sci. & Tech.

Size	Title	Rev.
Date:	DRAWN BY:	Sheet of
	CHECKED BY:	



IPRAI of Huazhong Uni. of Sci.&

Size	Title	Rev.
Date:	DRAWN BY:	Sheet of
	CHECKED BY:	



IPRAI of Huazhong Uni. of Sci. & Tech.

Size	Title	Rev.
Date:	DRAWN BY:	Sheet of
	CHECKED BY:	