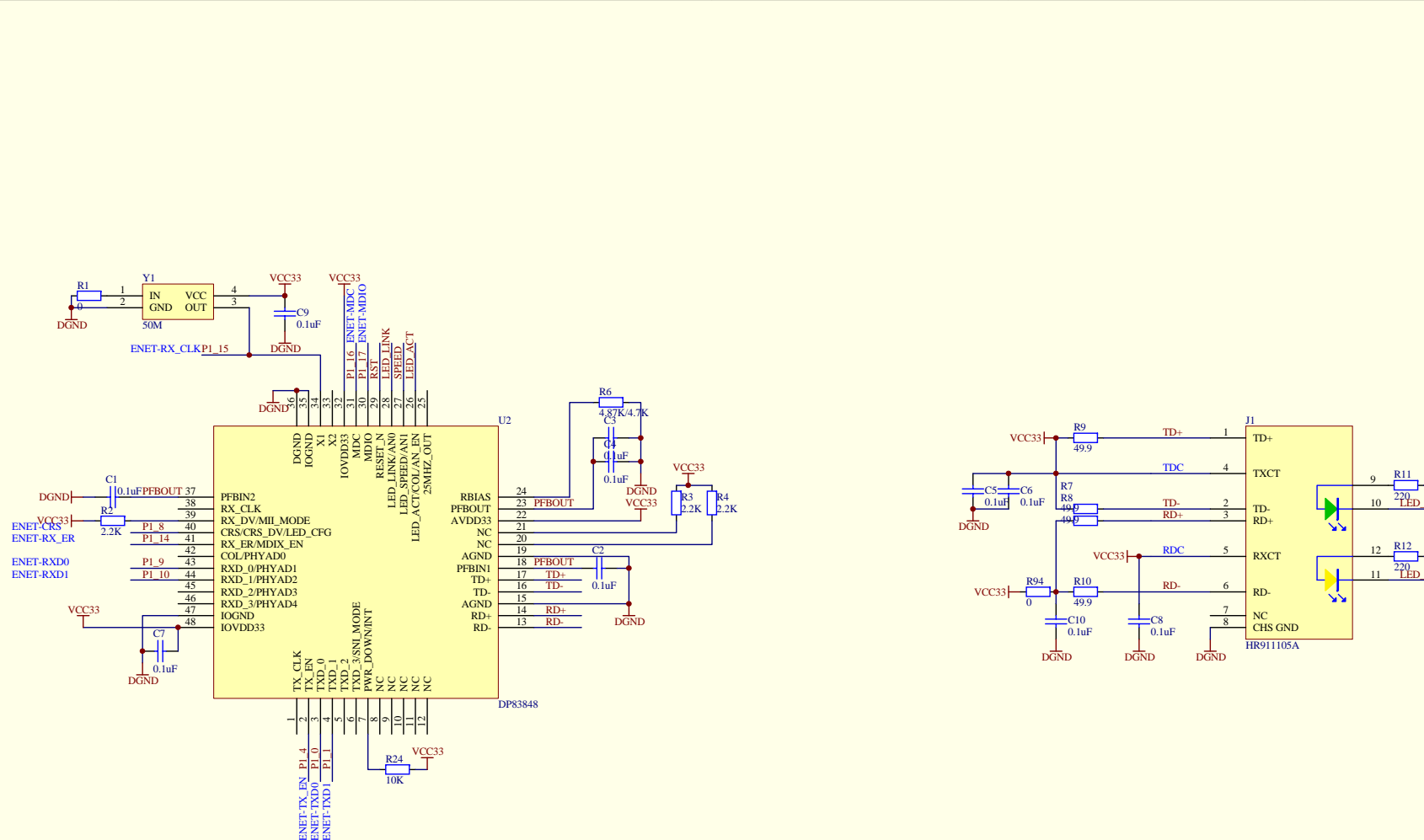


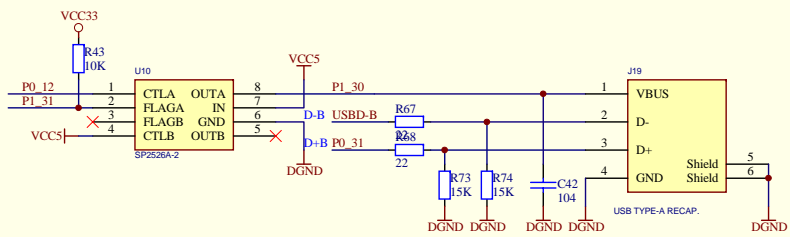
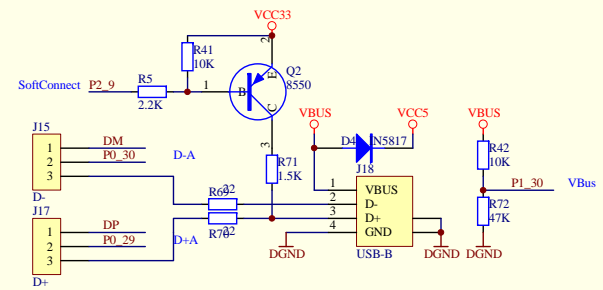
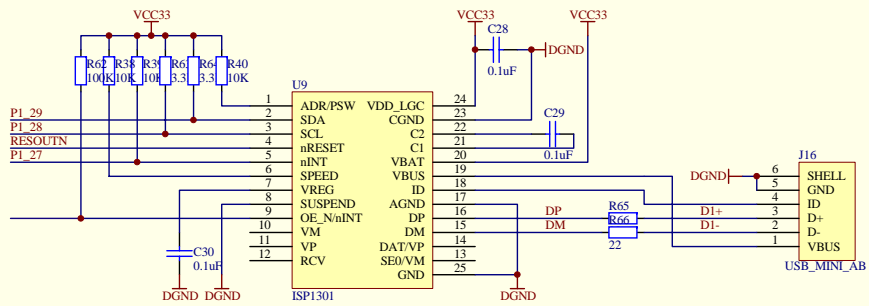
Pin	Signal	Pin	Signal	Pin	Signal	Pin	Signal
P1.0	ENET-TXD0	P1.16	ENET-MDC	P1.31	OVRR_CRNT-BN/SCK1/AD0.5	P2.8	CAN_RX2/TXD2/TRACEPKT3
P1.1	ENET-TXD1	P1.17	ENET-MDIO	P2.9	RXD2/EXTINT0	P2.9	RXD2/EXTINT0
P1.4	ENET-TX_EN	P1.18	LED-AN/PWM1.1/CAP1.0	P2.10	SD_DATA1	P2.10	SD_DATA1
P1.8	ENET-CRS	P1.19	TX_E-AN/PORT_PWR-AN/CAP1.1	P2.11	SD_DATA2	P2.11	SD_DATA2
P1.9	ENET-RXD0	P1.20	TX_DP-A/PWM1.2/SCK0	P2.12	SD_DATA3	P2.12	SD_DATA3
P1.10	ENET-RXD1	P1.21	TX_DM-A/PWM1.3/SSEL0	P2.13	TFT_DB8	P3.0	D0
P1.14	ENET-RX_ER	P1.22	RCV-A/PWRD-AN/MAT1.0/HOST_EN-BN/DEVICE_EN-BN/SSEL1/P0.14	P2.14	TFT_DB9	P3.1	D1
P1.15	ENET-RX_CLK	P1.23	RX_DP-A/PWM1.4/MISO0	P2.15	TFT_DB10	P3.2	D2
P1.16	ENET-MDC	P1.24	TX_DM-A/PWM1.5/MOSI0	P2.16	TFT_DB11	P3.3	D3
P1.17	ENET-MDIO	P1.25	LOW_SP-A/HOST_EN-AN/MAT1.1	P2.17	TFT_DB12	P3.4	D4
P1.18	LED-AN/PWM1.1/CAP1.0	P1.26	SUSPEND-A/PWN1.6/CAP0.0	P2.18	TFT_DB13	P3.5	D5
P1.19	TX_E-AN/PORT_PWR-AN/CAP1.1	P1.27	INT-AN/OVRR_CRNT-AN/CAPO.1	P2.19	TFT_DB14	P3.6	D6
P1.20	TX_DP-A/PWM1.2/SCK0	P1.28	SCL-A/PCAP1.0/MAT0.0	P2.20	TFT_DB15	P3.7	D7
P1.21	TX_DM-A/PWM1.3/SSEL0	P1.29	SCL-A/PCAP1.1/MAT0.1	P3.0	D0	P3.0	D0
P1.22	RCV-A/PWRD-AN/MAT1.0/HOST_EN-BN/DEVICE_EN-BN/SSEL1/P0.14	P1.30	PWRD-BN/VBUS-B/AD0.7	P3.1	D1	P3.1	D1
P1.23	RX_DP-A/PWM1.4/MISO0	P1.31	OVRR_CRNT-BN/SCK1/AD0.5	P3.2	D2	P3.2	D2
P1.24	TX_DM-A/PWM1.5/MOSI0	P2.0	PWM1.1/TXD1/TRACECLK	P3.3	D3	P3.3	D3
P1.25	LOW_SP-A/HOST_EN-AN/MAT1.1	P2.1	PWM1.2/RXD1/PIPESTAT0	P3.4	D4	P3.4	D4
P1.26	SUSPEND-A/PWN1.6/CAP0.0	P2.2	PWM1.3/CTS1/PIPESTAT1	P3.5	D5	P3.5	D5
P1.27	INT-AN/OVRR_CRNT-AN/CAPO.1	P2.3	PWM1.4/DCD1/PIPESTAT2	P3.6	D6	P3.6	D6
P1.28	SCL-A/PCAP1.0/MAT0.0	P2.4	PWM1.5/DSR1/TRACESYNC	P3.7	D7	P3.7	D7
P1.29	SCL-A/PCAP1.1/MAT0.1	P2.5	PWM1.6/DTR1/TRACEPKT0	P3.0	D0	P3.0	D0
P1.30	PWRD-BN/VBUS-B/AD0.7	P2.6	PCAP1.0/R1/TRACEPKT1	P3.1	D1	P3.1	D1
P1.31	OVRR_CRNT-BN/SCK1/AD0.5	P2.7	CAN_RX2/RTS1/TRACEPKT2	P3.2	D2	P3.2	D2
P2.0	PWM1.1/TXD1/TRACECLK	P2.8	CAN_RX2/TXD2/TRACEPKT3	P3.3	D3	P3.3	D3
P2.1	PWM1.2/RXD1/PIPESTAT0	P2.9	RXD2/EXTINT0	P3.4	D4	P3.4	D4
P2.2	PWM1.3/CTS1/PIPESTAT1	P2.10	SD_DATA1	P3.5	D5	P3.5	D5
P2.3	PWM1.4/DCD1/PIPESTAT2	P2.11	SD_DATA2	P3.6	D6	P3.6	D6
P2.4	PWM1.5/DSR1/TRACESYNC	P2.12	SD_DATA3	P3.7	D7	P3.7	D7
P2.5	PWM1.6/DTR1/TRACEPKT0	P2.13	TFT_DB8	P3.0	D0	P3.0	D0
P2.6	PCAP1.0/R1/TRACEPKT1	P2.14	TFT_DB9	P3.1	D1	P3.1	D1
P2.7	CAN_RX2/RTS1/TRACEPKT2	P2.15	TFT_DB10	P3.2	D2	P3.2	D2
P2.8	CAN_RX2/TXD2/TRACEPKT3	P2.16	TFT_DB11	P3.3	D3	P3.3	D3
P2.9	RXD2/EXTINT0	P2.17	TFT_DB12	P3.4	D4	P3.4	D4
P2.10	SD_DATA1	P2.18	TFT_DB13	P3.5	D5	P3.5	D5
P2.11	SD_DATA2	P2.19	TFT_DB14	P3.6	D6	P3.6	D6
P2.12	SD_DATA3	P2.20	TFT_DB15	P3.7	D7	P3.7	D7
P2.13	TFT_DB8	P3.0	D0	P3.0	D0	P3.0	D0
P2.14	TFT_DB9	P3.1	D1	P3.1	D1	P3.1	D1
P2.15	TFT_DB10	P3.2	D2	P3.2	D2	P3.2	D2
P2.16	TFT_DB11	P3.3	D3	P3.3	D3	P3.3	D3
P2.17	TFT_DB12	P3.4	D4	P3.4	D4	P3.4	D4
P2.18	TFT_DB13	P3.5	D5	P3.5	D5	P3.5	D5
P2.19	TFT_DB14	P3.6	D6	P3.6	D6	P3.6	D6
P2.20	TFT_DB15	P3.7	D7	P3.7	D7	P3.7	D7
P3.0	D0	P3.0	D0	P3.0	D0	P3.0	D0
P3.1	D1	P3.1	D1	P3.1	D1	P3.1	D1
P3.2	D2	P3.2	D2	P3.2	D2	P3.2	D2
P3.3	D3	P3.3	D3	P3.3	D3	P3.3	D3
P3.4	D4	P3.4	D4	P3.4	D4	P3.4	D4
P3.5	D5	P3.5	D5	P3.5	D5	P3.5	D5
P3.6	D6	P3.6	D6	P3.6	D6	P3.6	D6
P3.7	D7	P3.7	D7	P3.7	D7	P3.7	D7
P3.23	D23	P3.23	D23	P3.23	D23	P3.23	D23
P3.24	D24	P3.24	D24	P3.24	D24	P3.24	D24
P3.25	D25	P3.25	D25	P3.25	D25	P3.25	D25
P3.26	D26	P3.26	D26	P3.26	D26	P3.26	D26
P3.23	D23	P3.23	D23	P3.23	D23	P3.23	D23
P3.24	D24	P3.24	D24	P3.24	D24	P3.24	D24
P3.25	D25	P3.25	D25	P3.25	D25	P3.25	D25
P3.26	D26	P3.26	D26	P3.26	D26	P3.26	D26
P4.0	EINT0N	P4.0	EINT0N	P4.0	EINT0N	P4.0	EINT0N
P4.1	EINT1N/MCIDAT1/I2STX_CLK	P4.1	EINT1N/MCIDAT1/I2STX_CLK	P4.1	EINT1N/MCIDAT1/I2STX_CLK	P4.1	EINT1N/MCIDAT1/I2STX_CLK
P4.2	EINT2N/MCIDAT2/I2STX_WS	P4.2	EINT2N/MCIDAT2/I2STX_WS	P4.2	EINT2N/MCIDAT2/I2STX_WS	P4.2	EINT2N/MCIDAT2/I2STX_WS
P4.3	EINT3N/MCIDAT3/I2STX_SDA	P4.3	EINT3N/MCIDAT3/I2STX_SDA	P4.3	EINT3N/MCIDAT3/I2STX_SDA	P4.3	EINT3N/MCIDAT3/I2STX_SDA
P4.4		P4.4		P4.4		P4.4	
P4.5		P4.5		P4.5		P4.5	
P4.6		P4.6		P4.6		P4.6	
P4.7		P4.7		P4.7		P4.7	
P4.8		P4.8		P4.8		P4.8	
P4.9		P4.9		P4.9		P4.9	
P4.10		P4.10		P4.10		P4.10	
P4.11		P4.11		P4.11		P4.11	
P4.12		P4.12		P4.12		P4.12	
P4.13		P4.13		P4.13		P4.13	
P4.14		P4.14		P4.14		P4.14	
P4.15		P4.15		P4.15		P4.15	
P4.24	OEN/P4.24	P4.24	OEN/P4.24	P4.24	OEN/P4.24	P4.24	OEN/P4.24
P4.25	WEN/P4.25	P4.25	WEN/P4.25	P4.25	WEN/P4.25	P4.25	WEN/P4.25
P4.28	BLS2/MAT2.0/TXD3/P4.28	P4.28	BLS2/MAT2.0/TXD3/P4.28	P4.28	BLS2/MAT2.0/TXD3/P4.28	P4.28	BLS2/MAT2.0/TXD3/P4.28
P4.29	BLS3/MAT2.1/RXD3/P4.29	P4.29	BLS3/MAT2.1/RXD3/P4.29	P4.29	BLS3/MAT2.1/RXD3/P4.29	P4.29	BLS3/MAT2.1/RXD3/P4.29
P4.30	CSN0/P4.30	P4.30	CSN0/P4.30	P4.30	CSN0/P4.30	P4.30	CSN0/P4.30
P4.31	CSN1/P4.31	P4.31	CSN1/P4.31	P4.31	CSN1/P4.31	P4.31	CSN1/P4.31
P0.0	CAN_RX1	P0.0	CAN_RX1	P0.0	CAN_RX1	P0.0	CAN_RX1
P0.1	CAN_TX1	P0.1	CAN_TX1	P0.1	CAN_TX1	P0.1	CAN_TX1
P0.2	TXD0	P0.2	TXD0	P0.2	TXD0	P0.2	TXD0
P0.3	RXD0	P0.3	RXD0	P0.3	RXD0	P0.3	RXD0
P0.4	CAN_RX2	P0.4	CAN_RX2	P0.4	CAN_RX2	P0.4	CAN_RX2
P0.5	CAN_TX2	P0.5	CAN_TX2	P0.5	CAN_TX2	P0.5	CAN_TX2
P0.6	DATA0	P0.6	DATA0	P0.6	DATA0	P0.6	DATA0
P0.7	BCK	P0.7	BCK	P0.7	BCK	P0.7	BCK
P0.8	WS	P0.8	WS	P0.8	WS	P0.8	WS
P0.9	DATA1	P0.9	DATA1	P0.9	DATA1	P0.9	DATA1
P0.10		P0.10		P0.10		P0.10	
P0.11		P0.11		P0.11		P0.11	
P0.12	X-	P0.12	X-	P0.12	X-	P0.12	X-
P0.13	Y-	P0.13	Y-	P0.13	Y-	P0.13	Y-
P0.14		P0.14		P0.14		P0.14	
P0.15	TXD1	P0.15	TXD1	P0.15	TXD1	P0.15	TXD1
P0.16	RXD1	P0.16	RXD1	P0.16	RXD1	P0.16	RXD1
P0.17	L3MODE	P0.17	L3MODE	P0.17	L3MODE	P0.17	L3MODE
P0.18	L3DATA	P0.18	L3DATA	P0.18	L3DATA	P0.18	L3DATA
P0.19	SD_CLK	P0.19	SD_CLK	P0.19	SD_CLK	P0.19	SD_CLK
P0.20	SD_CMD	P0.20	SD_CMD	P0.20	SD_CMD	P0.20	SD_CMD
P0.21		P0.21		P0.21		P0.21	
P0.22	SD_DATA0	P0.22	SD_DATA0	P0.22	SD_DATA0	P0.22	SD_DATA0
P0.23		P0.23		P0.23		P0.23	
P0.24	X+	P0.24	X+	P0.24	X+	P0.24	X+
P0.25	Y+	P0.25	Y+	P0.25	Y+	P0.25	Y+
P0.26	AOUT	P0.26	AOUT	P0.26	AOUT	P0.26	AOUT
P0.27	SDA	P0.27	SDA	P0.27	SDA	P0.27	SDA
P0.28	SCL	P0.28	SCL	P0.28	SCL	P0.28	SCL
P0.29	D-A	P0.29	D-A	P0.29	D-A	P0.29	D-A
P0.30	D-A	P0.30	D-A	P0.30	D-A	P0.30	D-A
P0.31	D-B	P0.31	D-B	P0.31	D-B	P0.31	D-B
P0.37	USB-D-B	P0.37	USB-D-B	P0.37	USB-D-B	P0.37	USB-D-B
P4.0	EINT0N	P4.0	EINT0N	P4.0	EINT0N	P4.0	EINT0N
P4.1	EINT1N/MCIDAT1/I2STX_CLK	P4.1	EINT1N/MCIDAT1/I2STX_CLK	P4.1	EINT1N/MCIDAT1/I2STX_CLK	P4.1	EINT1N/MCIDAT1/I2STX_CLK
P4.2	EINT2N/MCIDAT2/I2STX_WS	P4.2	EINT2N/MCIDAT2/I2STX_WS	P4.2	EINT2N/MCIDAT2/I2STX_WS	P4.2	EINT2N/MCIDAT2/I2STX_WS
P4.3	EINT3N/MCIDAT3/I2STX_SDA	P4.3	EINT3N/MCIDAT3/I2STX_SDA	P4.3	EINT3N/MCIDAT3/I2STX_SDA	P4.3	EINT3N/MCIDAT3/I2STX_SDA
P4.4		P4.4		P4.4		P4.4	
P4.5		P4.5		P4.5		P4.5	
P4.6		P4.6		P4.6		P4.6	
P4.7		P4.7		P4.7		P4.7	
P4.8		P4.8		P4.8		P4.8	
P4.9		P4.9		P4.9		P4.9	
P4.10		P4.10		P4.10		P4.10	
P4.11		P4.11		P4.11		P4.11	
P4.12		P4.12		P4.12		P4.12	
P4.13		P4.13		P4.13		P4.13	
P4.14		P4.14		P4.14		P4.14	
P4.15		P4.15		P4.15		P4.15	
P4.24	OEN/P4.24	P4.24	OEN/P4.24	P4.24	OEN/P4.24	P4.24	OEN/P4.24
P4.25	WEN/P4.25	P4.25	WEN/P4.25	P4.25	WEN/P4.25	P4.25	WEN/P4.25
P4.28	BLS2/MAT2.0/TXD3/P4.28	P4.28	BLS2/MAT2.0/TXD3/P4.28	P4.28	BLS2/MAT2.0/TXD3/P4.28	P4.28	BLS2/MAT2.0/TXD3/P4.28
P4.29	BLS3/MAT2.1/RXD3/P4.29	P4.29	BLS3/MAT2.1/RXD3/P4.29	P4.29	BLS3/MAT2.1/RXD3/P4.29	P4.29	BLS3/MAT2.1/RXD3/P4.29
P4.30	CSN0/P4.30	P4.30	CSN0/P4.30	P4.30	CSN0/P4.30	P4.30	CSN0/P4.30
P4.31	CSN1/P4.31	P4.31	CSN1/P4.31	P4.31	CSN1/P4.31	P4.31	CSN1/P4.31

LPC2388-FDB144

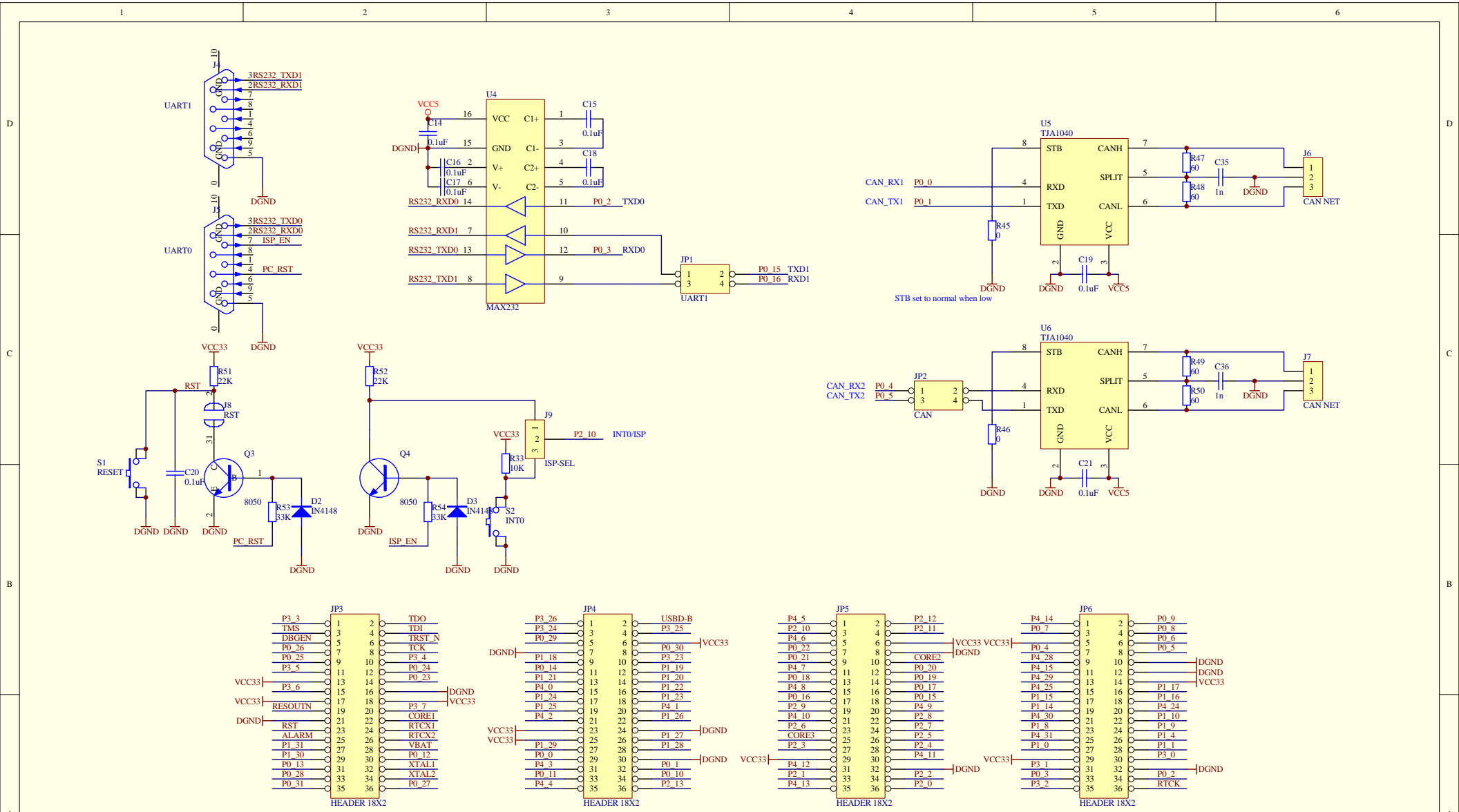
Title		
Size	Number	Revision
Date:	2-Nov-2008	



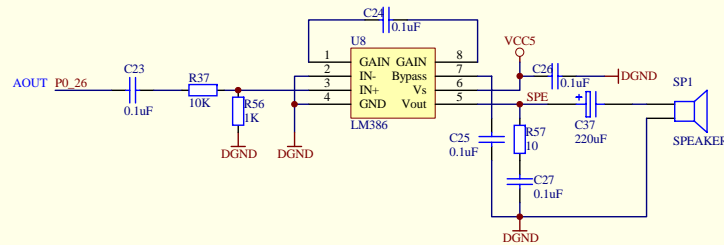
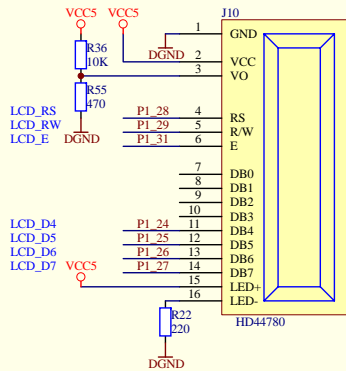
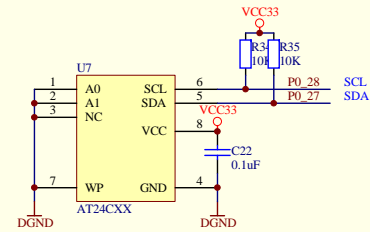
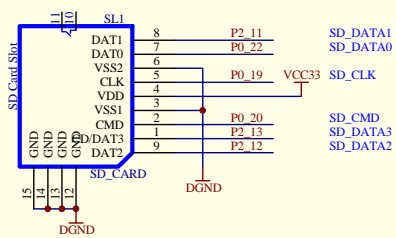
Title		
Size	Number	Revision
B		
Date:	2-Nov-2008	Sheet of
File:	F:\MyWork\LPC236x\LPC2388.ddb	Drawn By:



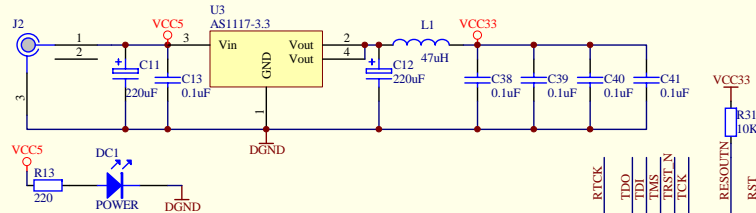
Title		
Size	Number	Revision
B		
Date:	2-Nov-2008	Sheet of
File:	F:\MyWork\LPC236x\LPC2388.ddb	Drawn By:



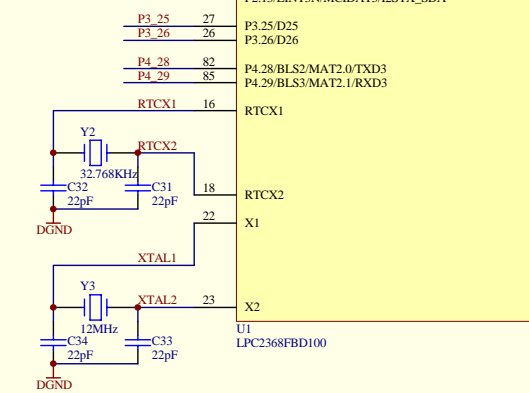
Title		
Size	Number	Revision
Date:	2-Nov-2008	Sheet of
File:	F:\MyWork\LPC236x\LPC2388.ddb	Drawn By:



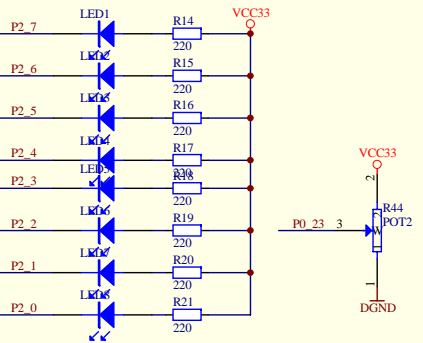
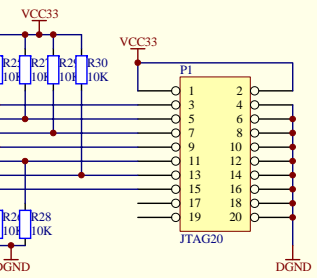
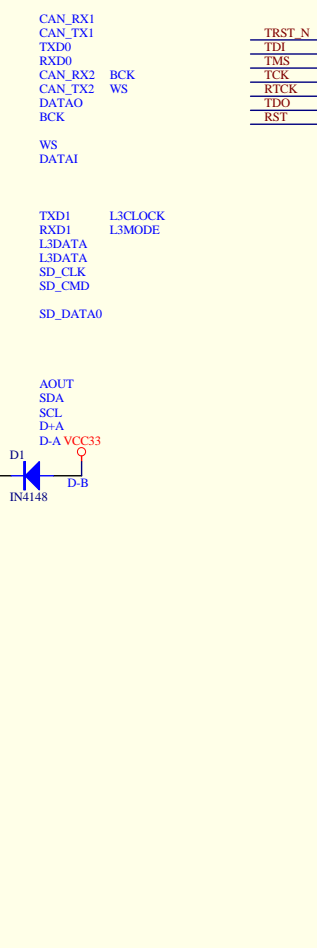
Title		
Size	Number	Revision
B		
Date:	2-Nov-2008	Sheet of
File:	F:\MyWork\LPC236x\LPC2388.ddb	Drawn By:



ENET-TXD0	P1_0	95	P1.0/ENET-TXD0	P0.0/CAN_RX1/TXD3/SDA1	46	P0_0
ENET-TXD1	P1_1	94	P1.1/ENET-TXD1	P0.1/CAN_TX1/TXD3/SCL1	47	P0_1
ENET-TX_EN	P1_4	93	P1.4/ENET-TX_EN	P0.2/TXD0	98	P0_2
ENET-CRS	P1_8	92	P1.8/ENET-CRS	P0.3/RXD0	99	P0_3
ENET-RXD0	P1_9	91	P1.9/ENET-RXD0	P0.4/I2SRX_CLK/CAN_RX2/CAP2.0	80	P0_5
ENET-RXD1	P1_10	90	P1.10/ENET-RXD1	P0.5/I2SRX_WS/CAN1_TX2/CAP2.1	79	P0_6
ENET-RX_ER	P1_14	89	P1.14/ENET-RX_ER	P0.6/I2SRX_SDA/SSEL1/MAT2.0	78	P0_7
ENET-RX_CLK	P1_15	88	P1.15/ENET-RX_CLK	P0.7/I2STX_CLK/SCK1/MAT2.1	77	P0_8
ENET-MDC	P1_16	87	P1.16/ENET-MDC	P0.8/I2STX_WS/MISO1/MAT2.2	76	P0_9
ENET-MDIO	P1_17	86	P1.17/ENET-MDIO	P0.9/I2STX_SDA/MOSI1/MAT2.3	48	P0_10
SYSCLK	P1_18	85	P1.18/LED-AN/PWM1.1/CAP1.0	P0.10/TXD2/SDA2/MAT3.0	49	P0_11
QMUITE	P1_19	84	P1.19/TX_E-AN/PORT_PWR-AN/CAP1.1	P0.11/RXD2/CL2/MAT3.1	62	P0_15
AGCSTAT	P1_20	83	P1.20/TX_DP-A/PWM1.2/SCK0	P0.15/TXD1/SCK0/SCK	63	P0_16
BCK	P1_21	82	P1.21/TX_DM-A/PWM1.3/SSEL0	P0.16/RXD1/SSEL0/SSEL	61	P0_17
OVERFL	P1_22	81	P1.22/RV-A/PWRD-AN/MAT1.0	P0.17/CTS1/MISO0/MISO	60	P0_18
LCD_D4	P1_23	80	P1.23/RX_DP-A/PWM1.4/MISO0	P0.18/DCD1/MOSI0/MOSI	59	P0_19
LCD_D5	P1_24	79	P1.24/RX_DM-A/PWM1.5/MOSI0	P0.19/DSR1/MCICLK/SDA1	57	P0_20
LCD_D6	P1_25	78	P1.25/LOW_SP-A/HOST_EN-AN/MAT1.1	P0.20/DTR1/MCICMD/SCL1	56	P0_22
LCD_D7	P1_26	77	P1.26/SUSPEND-A/PWM1.6/CAP0.0	P0.21/R11/MCIPWR/CAN_RX1	9	P0_23
LCD_RS	P1_27	76	P1.27/INT-AN/OVR_CRNT-AN/CAP0.1	P0.22/RTS1/MCIDATA0/CAN_TX1	8	P0_24
LCD_RW	P1_28	75	P1.28/SCL-A/PCAP1.0/MAT0.0	P0.23/AD0.0/I2SRX_CLK/CAP3.0	7	P0_25
VBus	P1_29	74	P1.29/SDA-A/PCAP1.0/MAT0.1	P0.24/AD0.1/I2SRX_WS/CAP3.1	6	P0_26
LCD_E	P1_30	73	P1.30/PWRD-BN/VBUS-B/AD0.7	P0.25/AD0.2/I2SRX_SDA/TXD3	25	P0_27
LED8	P2_0	75	P2.0/PWM1.1/TXD1/TRACECLK	P0.26/AD0.3/AOUT/RXD3	24	P0_28
LED7	P2_1	74	P2.1/PWM1.2/RXD1/PIPESTAT0	P0.27/SDA0	29	P0_29
LED6	P2_2	73	P2.2/PWM1.3/CTS1/PIPESTAT1	P0.28/SCL0	30	P0_30
LED5	P2_3	70	P2.3/PWM1.4/DCD1/PIPESTAT2	P0.29/USBDA-A		
LED4	P2_4	69	P2.4/PWM1.5/DSR1/TRACESNC	P0.30/USBDA-A		
LED3	P2_5	68	P2.5/PWM1.6/DTR1/TRACEPKT0			
LED2	P2_6	67	P2.6/PCAP1.0/R11/TRACEPKT1			
LED1	P2_7	66	P2.7/CAN_RX2/RTS1/TRACEPKT2			



P0.0/CAN_RX1/TXD3/SDA1	46	P0_0
P0.1/CAN_TX1/TXD3/SCL1	47	P0_1
P0.2/TXD0	98	P0_2
P0.3/RXD0	99	P0_3
P0.4/I2SRX_CLK/CAN_RX2/CAP2.0	80	P0_5
P0.5/I2SRX_WS/CAN1_TX2/CAP2.1	79	P0_6
P0.6/I2SRX_SDA/SSEL1/MAT2.0	78	P0_7
P0.7/I2STX_CLK/SCK1/MAT2.1	77	P0_8
P0.8/I2STX_WS/MISO1/MAT2.2	76	P0_9
P0.9/I2STX_SDA/MOSI1/MAT2.3	48	P0_10
P0.10/TXD2/SDA2/MAT3.0	49	P0_11
P0.11/RXD2/CL2/MAT3.1	62	P0_15
P0.15/TXD1/SCK0/SCK	63	P0_16
P0.16/RXD1/SSEL0/SSEL	61	P0_17
P0.17/CTS1/MISO0/MISO	60	P0_18
P0.18/DCD1/MOSI0/MOSI	59	P0_19
P0.19/DSR1/MCICLK/SDA1	57	P0_20
P0.20/DTR1/MCICMD/SCL1	56	P0_22
P0.21/R11/MCIPWR/CAN_RX1	9	P0_23
P0.22/RTS1/MCIDATA0/CAN_TX1	8	P0_24
P0.23/AD0.0/I2SRX_CLK/CAP3.0	7	P0_25
P0.24/AD0.1/I2SRX_WS/CAP3.1	6	P0_26
P0.25/AD0.2/I2SRX_SDA/TXD3	25	P0_27
P0.26/AD0.3/AOUT/RXD3	24	P0_28
P0.27/SDA0	29	P0_29
P0.28/SCL0	30	P0_30
P0.29/USBDA-A		
P0.30/USBDA-A		



Title		
Size	Number	Revision
Date:	5-Jan-2009	Sheet of
File:	F:\MyWork\LPC236x\LPC2388.ddb	Drawn By: