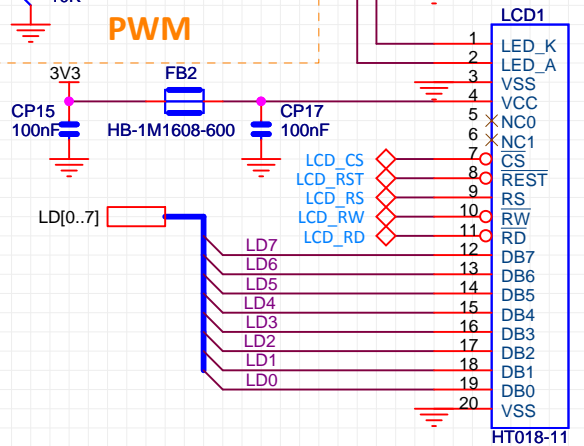
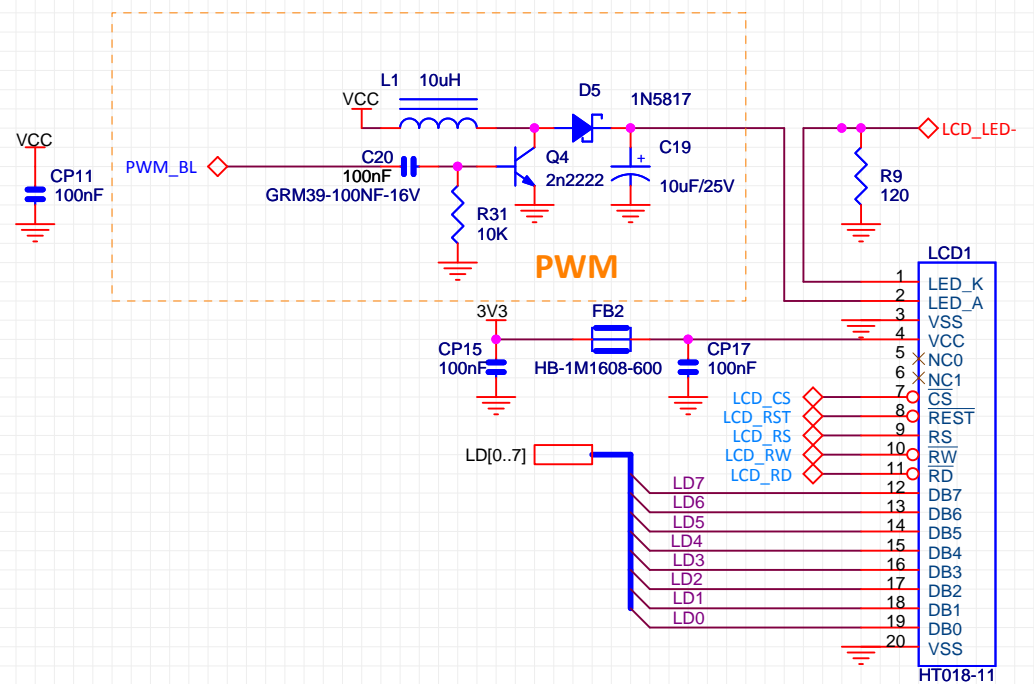
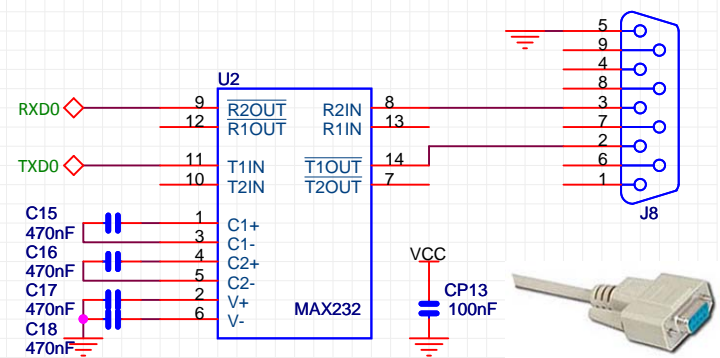
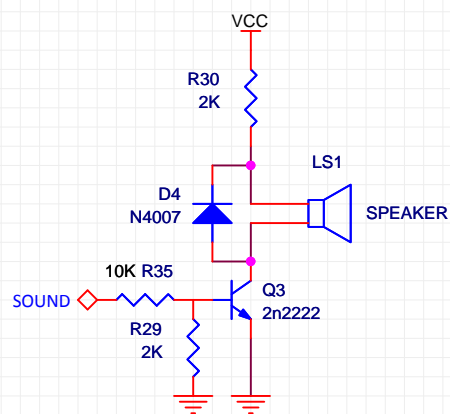
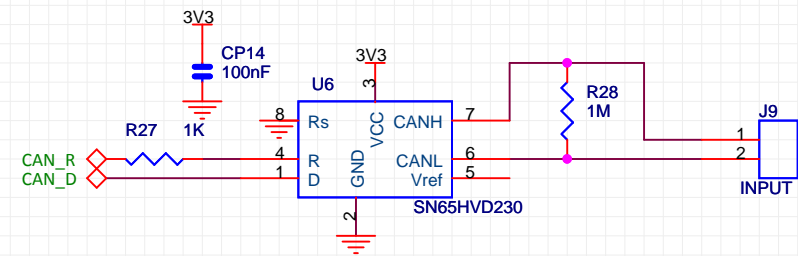
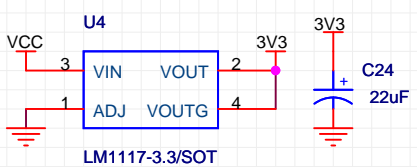
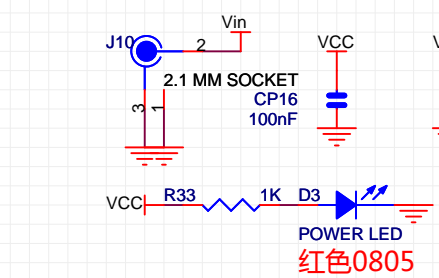
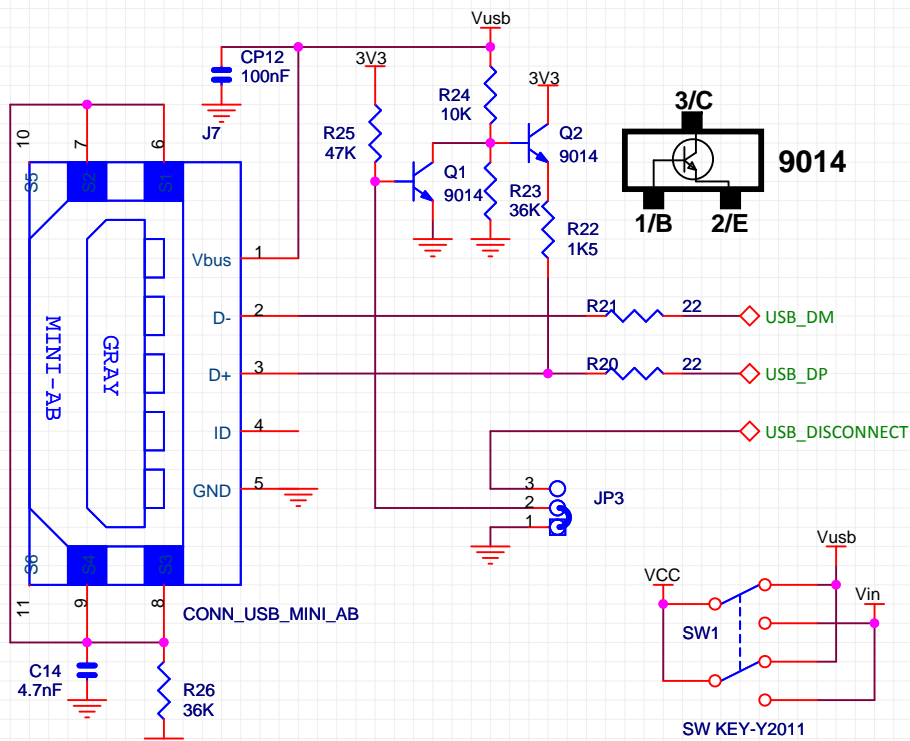


Title		
<b>STM32F103R EVAL BOARD</b>		
Size	Document Number	Rev
A4	STM32F103R	1.0
Date:	Friday, April 18, 2008	Sheet 1 of 2



Title		
<b>STM32F10XR ETHERNET EVAL BOARD</b>		
Size	Document Number	Rev
A4	STM32F10XR	1.0
Date:	Friday, April 18, 2008	Sheet 1 of 2